

WATER / OIL BRAZED PLATE OIL COOLER

HEAT EXCHANGERS

HEAT-EXCHANGERS

WB SERIES





Brazed Plate Technology

Stainless steel brazed plate construction is one of the most advanced fluid cooling technologies available. This design has several significant features:



Copper Brazed
Stainless Steel Plates

SAE O-Ring Oil Connections

Technical Data

Compatible Fluids

- Mineral Oils: HL & HLP
- Water – Oil Emulsion
- Water – Glycol
- Consult factory for other fluids

Ratings

- Operating Pressure: 435 PSI
- Max Operating Temperature: 435°F

Materials

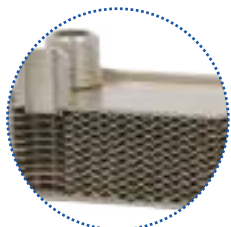
- Plates & Connections:
AISI 316L Stainless Steel
- Brazing Sheets:
Copper
- Mounting Brackets:
Powder Painted Steel

Studs May Be Used
for Mounting Without
Foot Bracket

Internal NPT Water Connections

Mounting Foot
For Ease of Installation

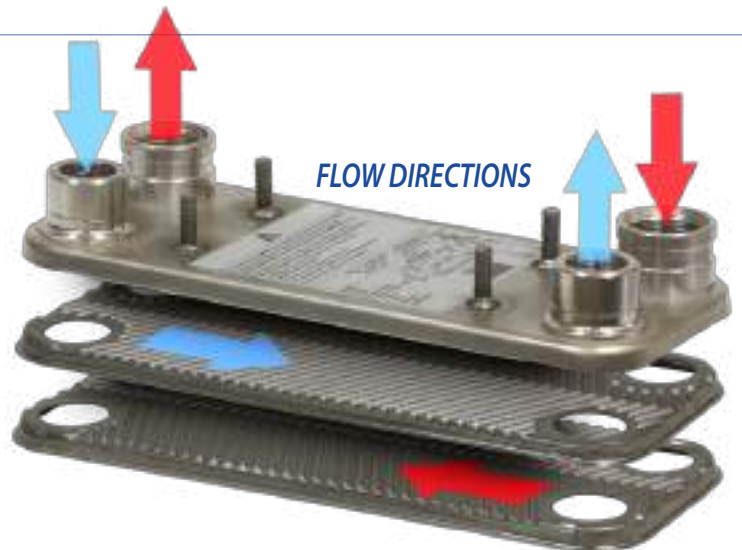
Corrosion Resistant: Stainless steel plates and fittings provide long service life.



Cutaway shows high density,
compact brazed plate
construction

Compact Performance: Up to 50% smaller in size than traditional shell & tube construction.

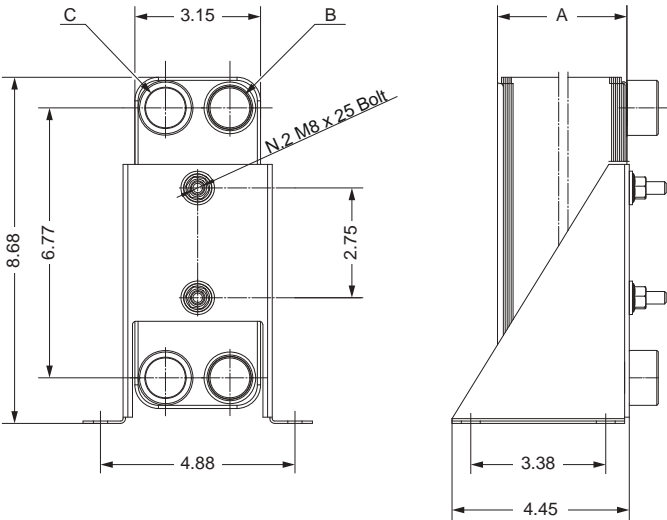
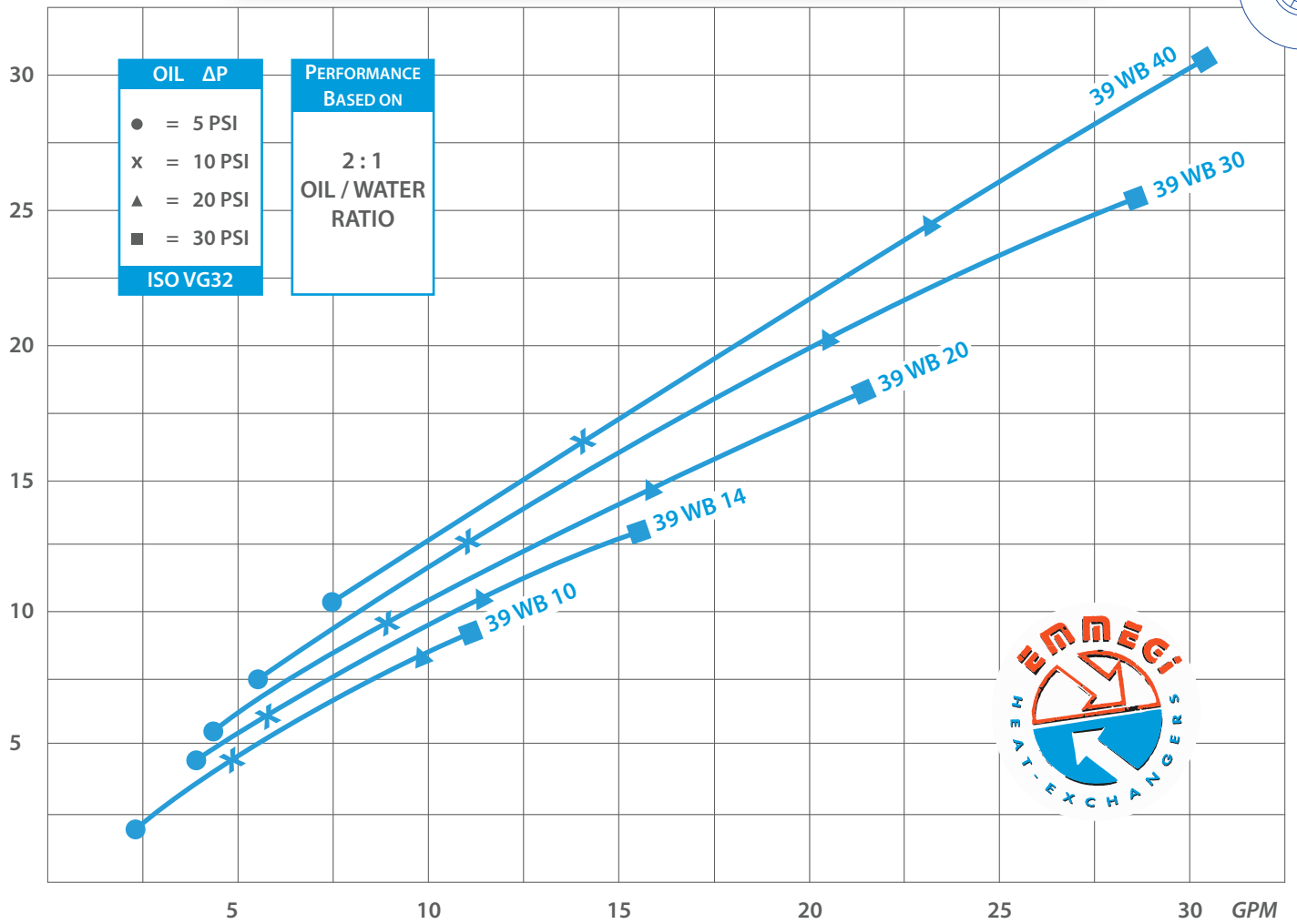
FLOW DIRECTIONS



HEAT-EXCHANGERS

39 WB Series - Dimensions & Performance

Horsepower Heat Rejection @ 50°F ETD



MODEL	A (inch)	OIL CONNECTIONS		NET WEIGHT LBS.
		B OIL	C WATER	
39 WB 10	1.32	# 10 SAE	1/2" NPT	2.4
39 WB 14	1.70			3.0
39 WB 20	2.28	# 12 SAE	3/4" NPT	3.8
39 WB 30	3.25			5.1
39 WB 40	4.21			6.4

Ordering Code

Model Size / Series **Number of Plates** **Mounting Bracket**

39WB — 14 —

Model Size 10 14 20 30 40

39WB = 3" x 9"

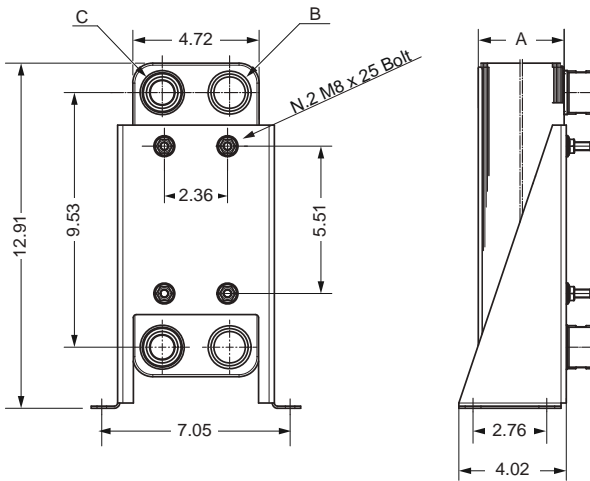
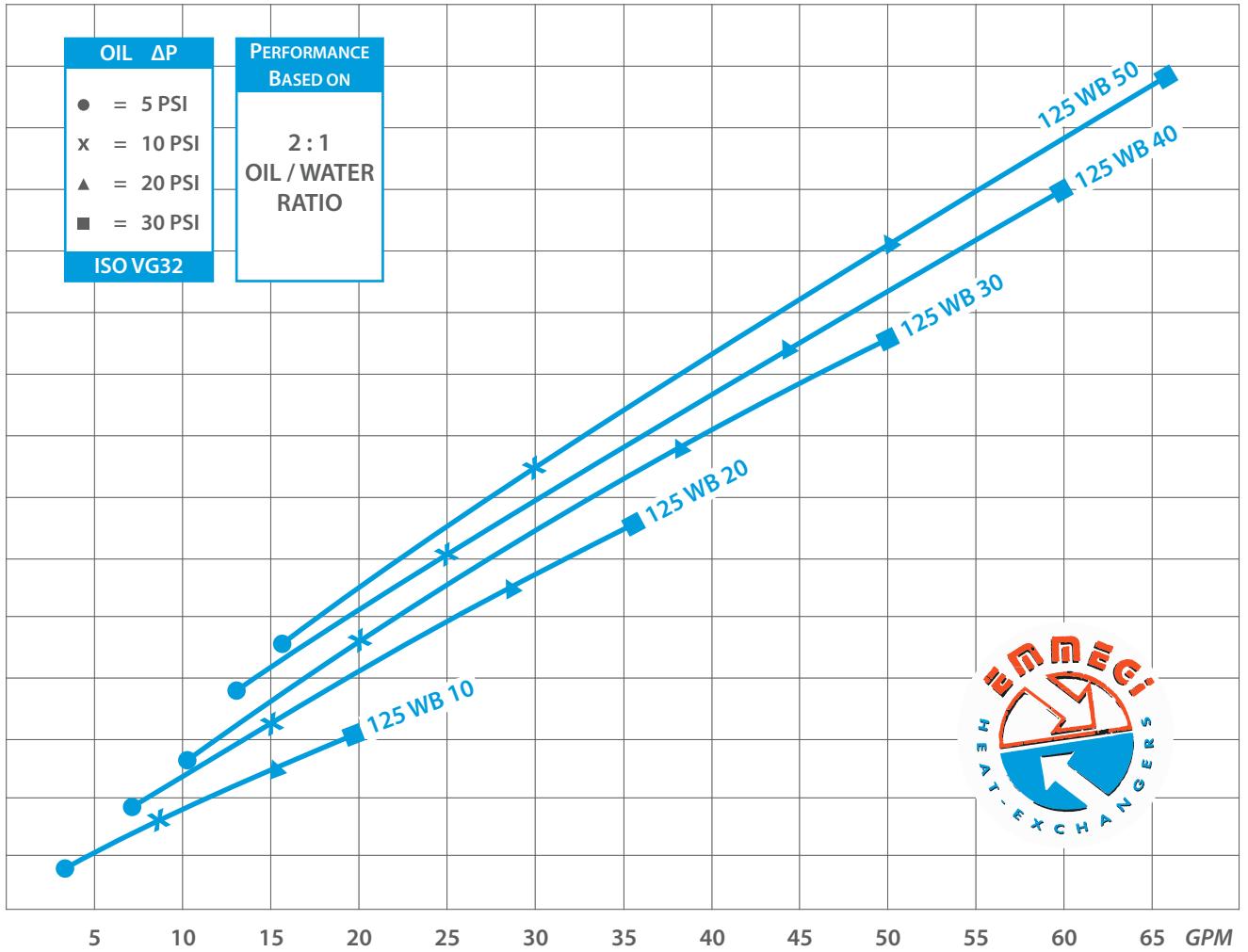
Blank Includes Mounting Bracket
NB No Mounting Bracket

HEAT-EXCHANGERS

125 WB Series - Dimensions & Performance

HEAT-EXCHANGERS

Horsepower Heat Rejection @ 50°F ETD



MODEL	A (inch)	OIL CONNECTIONS		NET WEIGHT LBS.
		B OIL	C WATER	
125 WB 10	1.28	# 16 SAE	3/4" NPT	6.2
125 WB 20	2.24			8.7
125 WB 30	3.21			11.2
125 WB 40	4.17	# 20 SAE	1" NPT	13.6
125 WB 50	5.12			16.1

Ordering Code

Model Size / Series: **125WB** (Model Size: 125 WB = 12" x 5")

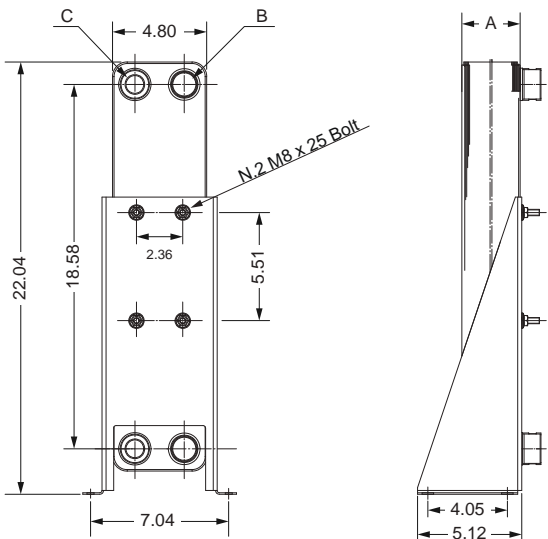
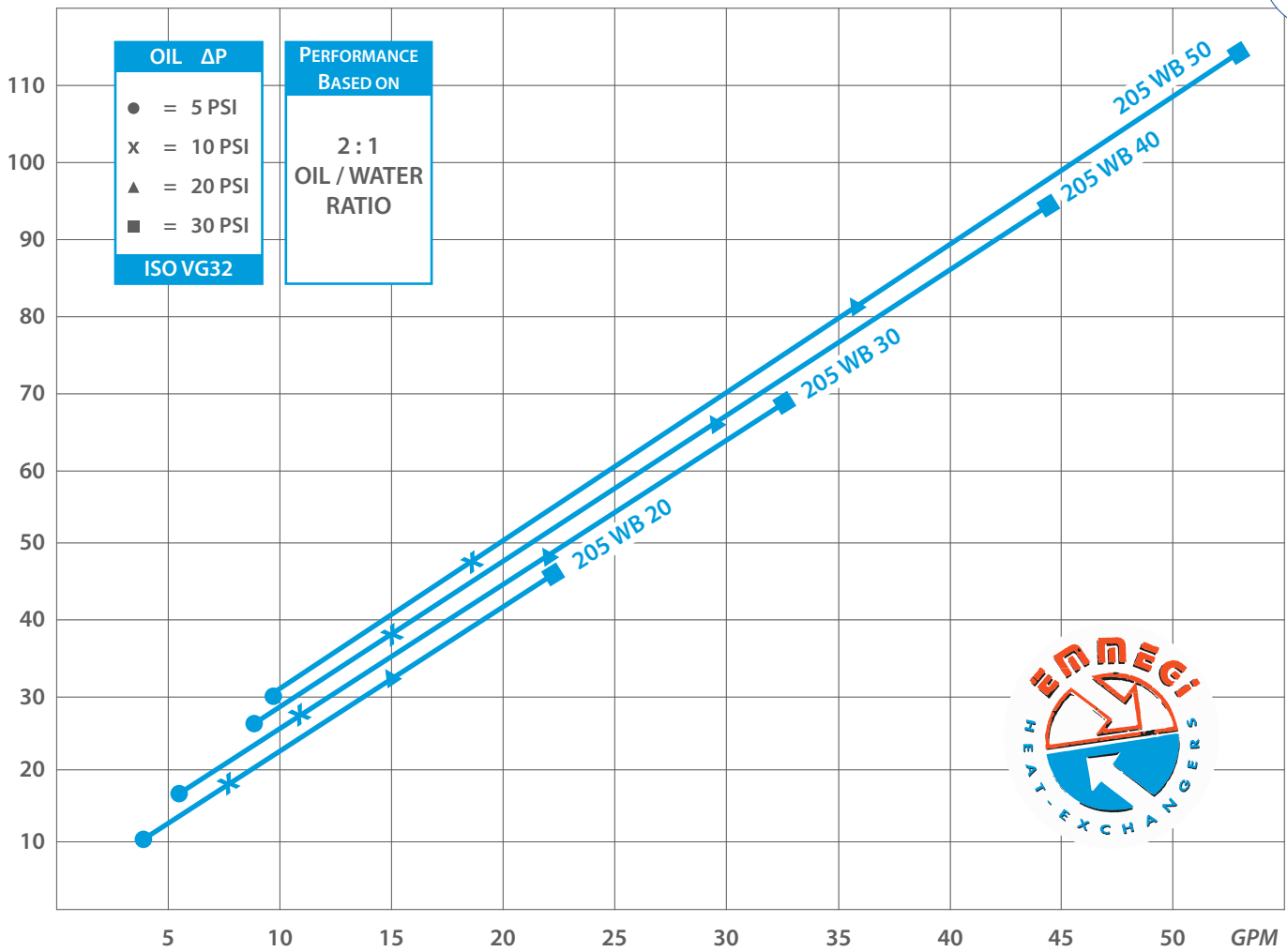
Number of Plates: **20** (Options: 10, 20, 30, 40, 50)

Mounting Bracket: **Blank** (Includes Mounting Bracket) or **NB** (No Mounting Bracket)

205 WB Series - Dimensions & Performance



Horsepower Heat Rejection @ 50°F ETD



MODEL	A (inch)	OIL CONNECTIONS		NET WEIGHT LBS.
		B OIL	C WATER	
205 WB 20	2.09	# 16 SAE	3/4" NPT	14.6
205 WB 30	2.97	# 16 SAE	3/4" NPT	19.1
205 WB 40	3.86	# 20 SAE	1" NPT	23.7
205 WB 50	4.74	# 20 SAE	1" NPT	28.2

HEAT-EXCHANGERS

Ordering Code

Model Size / Series **Number of Plates** **Mounting Bracket**

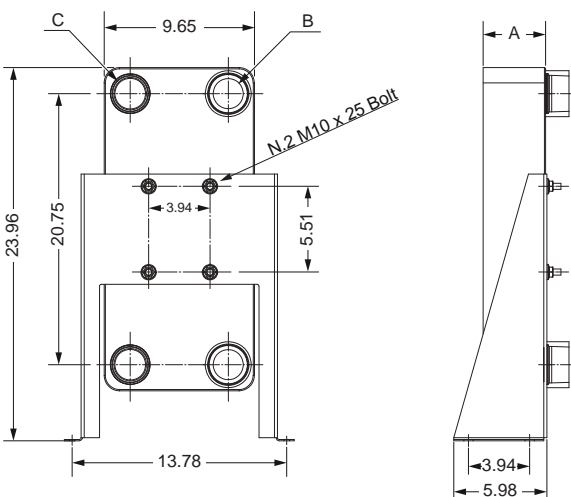
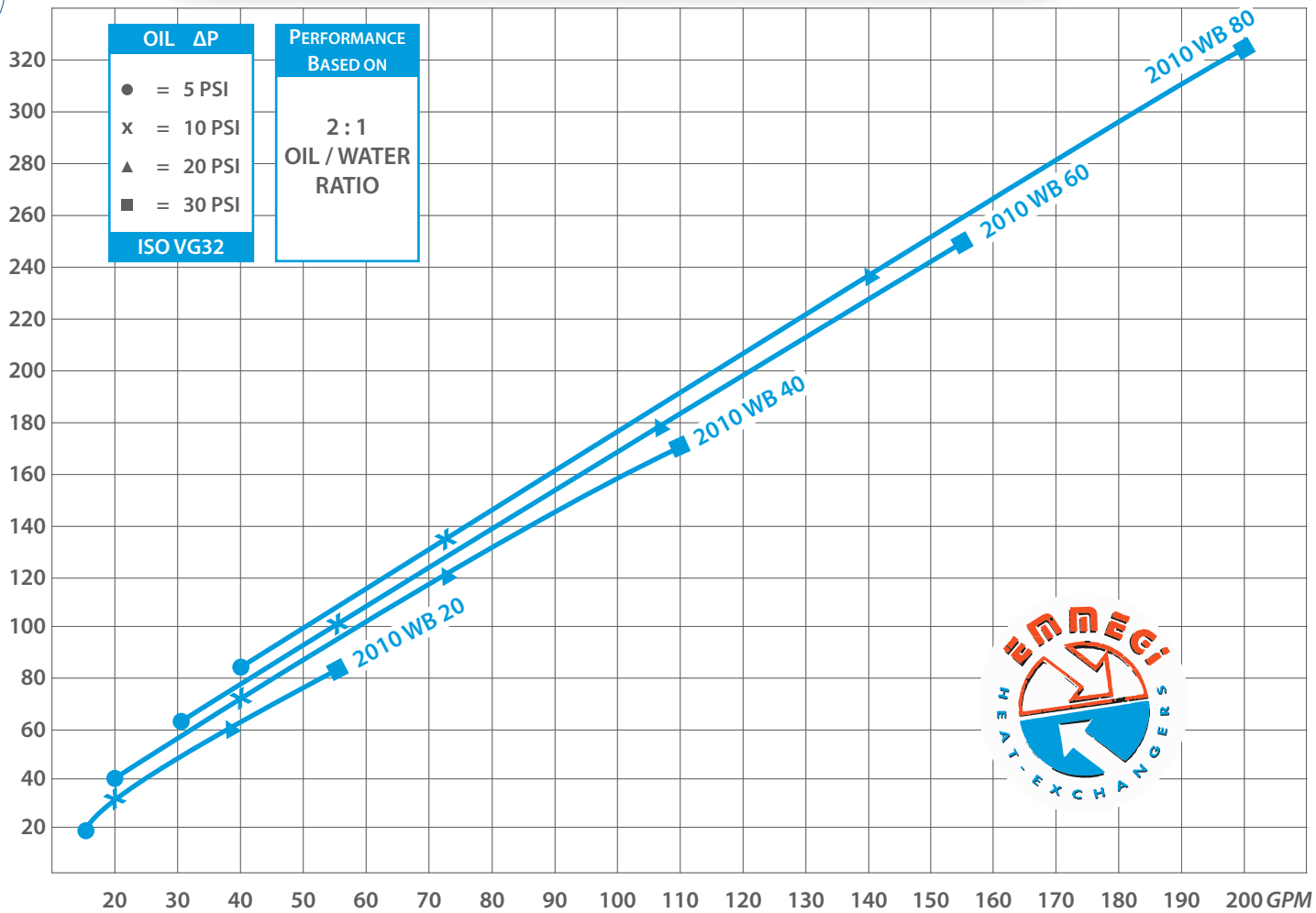
205WB — 30 —

Model Size 20 30 40 50 Blank Includes Mounting Bracket
 205 WB = 20" x 5" NB No Mounting Bracket

2010 WB Series - Dimensions & Performance

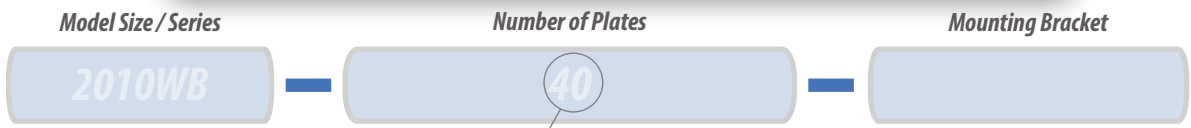
HEAT-EXCHANGERS

Horsepower Heat Rejection @ 50°F ETD



MODEL	A (inch)	OIL CONNECTIONS		NET WEIGHT LBS.
		B OIL	C WATER	
2010 WB 20	2.09	# 20 SAE	2" NPT	38.2
2010 WB 40	4.02	# 24 SAE		56.2
2010 WB 60	5.94	# 32 SAE		74.0
2010 WB 80	9.80			91.9

Ordering Code



Model Size / Series: **2010WB** (Model Size)

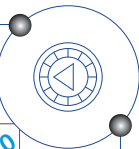
Number of Plates: **20** **40** **60** **80**

Mounting Bracket: **Blank** (Includes Mounting Bracket) / **NB** (No Mounting Bracket)

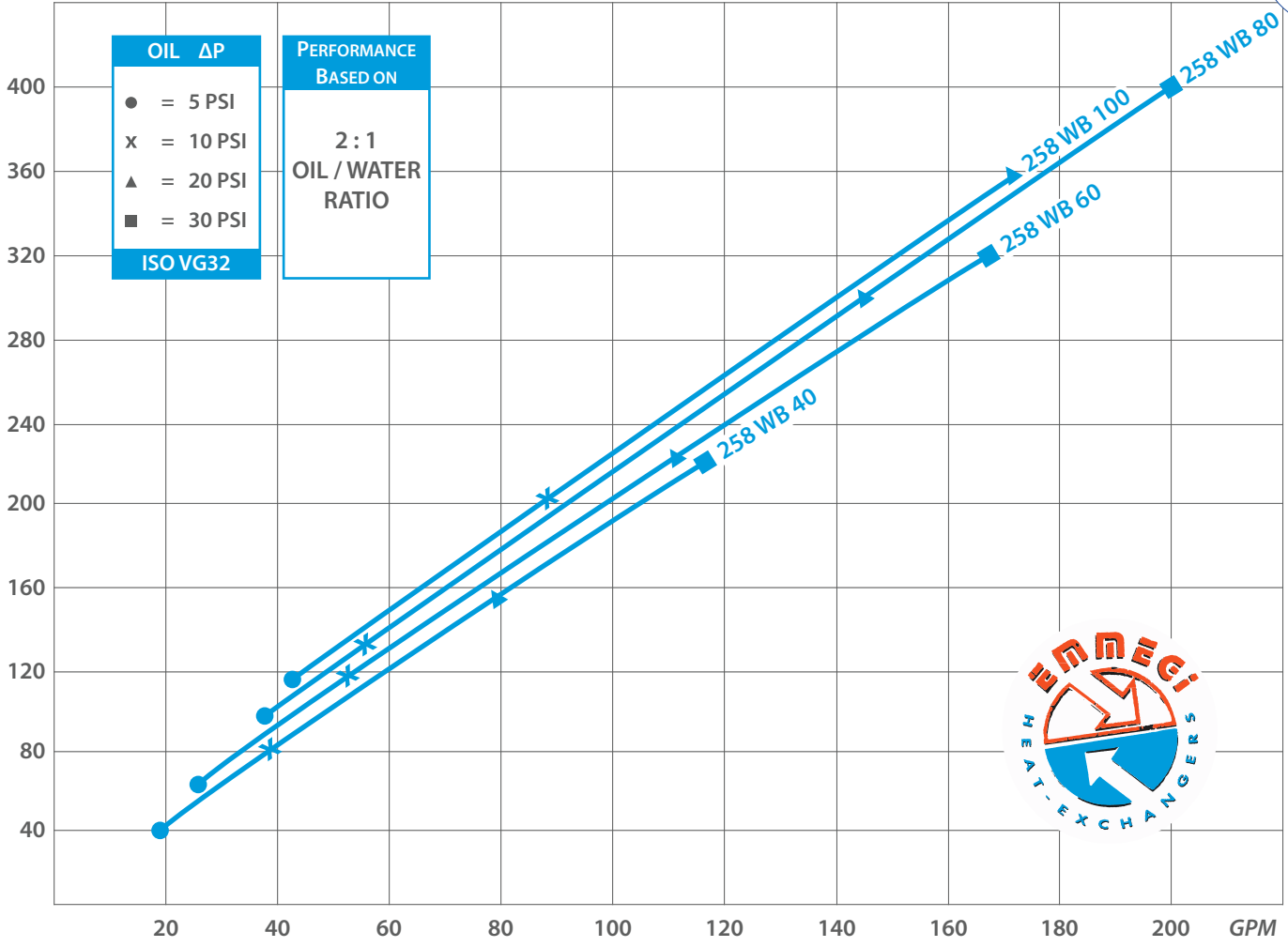
2010 WB = 20" x 10"

www.emmegiinc.com

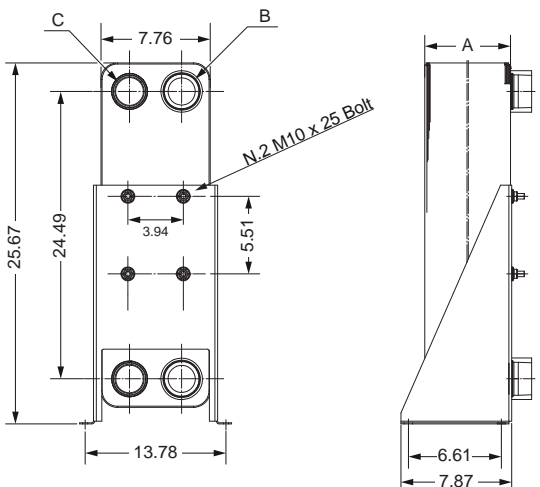
258 WB Series - Dimensions & Performance



Horsepower Heat Rejection @ 50°F ETD



HEAT-EXCHANGERS



MODEL	A (inch)	OIL CONNECTIONS		NET WEIGHT LBS.
		B OIL	C WATER	
258 WB 40	4.17	# 24 SAE	1 1/4" NPT	49.1
258 WB 60	6.10	# 32 SAE	2" NPT	75.2
258 WB 80	8.03			109.1
258 WB 100	9.96			126.6

Ordering Code

Model Size / Series: **258WB** (Model Size: 258WB = 25" x 8")

Number of Plates: **60** (Options: 40, 60, 80, 100)

Mounting Bracket: **Blank** (Includes Mounting Bracket) or **NB** (No Mounting Bracket)

Sales Network



USA

EMMEGI HEAT EXCHANGERS Inc.

(Main Office and Manufacturing)
3606 E. Southern Ave. Suite 2
Phoenix, AZ 85040 USA
Ph. + 1 602 438 7101
Fax + 1 602 438 7127
sales@emmegiinc.com
<http://www.emmegiinc.com>



SLOVAKIA

EMMEGI HEAT EXCHANGERS s.r.o.

Ul. M.Razusa 1
95514 Topolcany
Ph. + 421 387629212 - Fax + 421
387629222
<http://www.emmegi-heat-exchangers.com>
sro@emmegi-heat-exchangers.com



SWEDEN / FINLAND

EMMEGI HEAT EXCHANGERS
NORDIC AB.

Box 1136
262 22 ANGELHOLM
Visitors: Nybrovagen 4
Ph. + 46 (0) 431- 415096
Fax + 46 (0) 431- 415099
info.nordic@emmegi-heat-exchangers.com
<http://www.emmegi-heat-exchangers.com>



ASIA / PACIFIC

EMMEGI HEAT EXCHANGERS Ltd

Unit 17.9/ F.Corporation Park,
11 On Lai Street, Siu Lek Yuen,
Shatin, Hong Kong
Ph. + 852-26473488- Fax + 852-26032119
<http://www.emmegi-heat-exchangers.com>
emmegi@biznetvigator.com



GERMANY

EMMEGI GmbH

Philipp-Reis-Straße 2
41516 Grevenbroich-Kapellen
02182-570 18-0
02182-570 18-29
<http://www.emmegi-gmbh.de>
vertrieb@emmegi-gmbh.de

INDIA

EMMEGI INDIA Sales Office

B-37, DDA Shed
Okhla Industrial Area, Phase II
110020 NEW DELHI
+91 9810072019
+91 1141756320
<http://www.emmegi-heat-exchangers.com>
varun@emmegi-heat-exchangers.com

CHINA

EMMEGI HEAT EXCHANGERS

(Beijing) Co.,Ltd.
Unit 706,7/ F. Building A, China
Foreign Language Mansion,
89 West, 3 rd Ring (N) Road,
Haidian District,Beijing,
PR.China,Post code: 100089
Ph. + 86 10 88820971- Fax + 86 10 88820972
<http://www.emmegi-heat-exchangers.com>
emmegi@vip.sina.com

UK

EMMEGI UK

(Sales Office)
Evergreen, The Reddings
Cheltenham GL51 6RL
Ph. + 44 1242700151
Fax + 44 8707577659
sales@emmegi.co.uk
<http://www.emmegi.co.uk>

Headquarters



ITALIA

EMMEGI S.p.A.
Via Newton,52 - Zona Industriale
20062 Cassano d'Adda (MI) - Italy
Tel. +39 0363 360236 - Fax + 39 0363 360230
<http://www.emmegi-heat-exchangers.com>
info@emmegi-heat-exchangers.com

