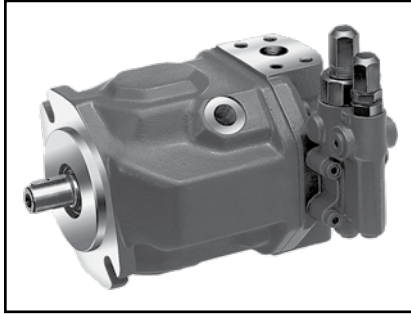


GoTo Focused Delivery Program: Pumps

Variable Displacement Pumps - A10V(S)O & (A)A10VSO (Series 31)



Variable displacement axial piston pump (A)A10V(S)O, Series 31 in swashplate design is available for open circuit applications. It can be used in both mobile and industrial applications. Flow is proportional to the drive speed and the displacement. By adjusting the position of the swashplate, it is possible to steplessly vary the flow. Multiple forms of pressure, flow or electrohydraulic controls are available.

For complete engineering and design information: GoTo www.boschrexroth-us.com/GoTopumps

Features

- Sizes 10 to 140
- Axial piston swashplate design
- Open circuit
- Series 31 (sizes 18, 28, 45, 71, 100, 140), Series 52 (sizes 10, 28, 45, 60, 85)
- Combination of pumps of up to the same size can be mounted to the through-drive (not with size 10)
- - Pump version starting with special code 'E' available for use with water-content fluids
- Certain Parts benefit from Graduated Lead Time:
 - Quantity 10 or less, Lead Time 10 days
 - Quantity 11 to 30, Lead Time 30 days
 - Quantity 31+, Lead Time 40 days
- Detailed information: RE-A92701, RE-A92711

Technical Data

Size			18	28	45	71	100	140	
Nominal pressure	p_N	bar (psi)	280 (4000)	280 (4000)	280 (4000)	280 (4000)	280 (4000)	280 (4000)	
Peak pressure	p_{max}	bar (psi)	350 (5100)	350 (5100)	350 (5100)	350 (5100)	350 (5100)	350 (5100)	
Displacement	$V_{g,max}$	cm ³ (in ³)	18 (1.10)	28 (1.71)	45 (2.75)	71 (4.33)	100 (6.10)	140 (8.54)	
Speed ¹⁾	n_{max}	rpm	3300	3000	2600	2200	2000	1800	
Flow	at n_{max}	$q_{V,max}$	l/min (gpm)	59 (15.59)	84 (22.19)	117 (31)	156 (41)	200 (53)	252 (67)
Power	$\Delta p = 280 \text{ bar}$ (4000 PSI)	P_{max}	kW	28	39	55	73	93	118
Torque	$\Delta p = 280 \text{ bar}$ (4000 PSI)	T_{max}	Nm (lb-ft)	80 (59)	125 (92)	200 (148)	316 (233)	445 (328)	623 (460)
Weight (approx.)	m	kg (lbs.)	12 (26)	15 (33)	21 (46)	33 (73)	45 (99)	60 (132)	

1) The values are valid at an absolute pressure of 1 bar (14.50 PSI) in suction port S.

Part Number	Description	Max. Quantity	Shipment (Business Days)
R902549833	A A10V O 45 DFR /31L-VSC62N00	10	10 day(s)
R902506696	A A10V O 45 DFR /31L-VSC62N00 *GO2*	10	10 day(s)
R902506695	A A10V O 45 DFR1/31L-VSC62N00 *GO2*	10	10 day(s)
R902506697	A A10V O 71 DFR /31R-VSC92K68 *GO2*	10	10 day(s)
R902506698	A A10V O 71 DFR /31R-VSC92K68 *GO2*	10	10 day(s)
R902546821	A A10VSO 18 DFR /31R-PUC62N00	10	10 day(s)
R902506737	A A10VSO 18 DFR /31R-VUC62N00 *GO2*	10	10 day(s)
R902542670	A A10VSO 28 DR /31R-PPA12N00	10	10 day(s)
R902542671	A A10VSO 28 DR /31R-PPA12N00	10	10 day(s)
R902546728	A A10VSO 28 DR /31R-VPA12N00	10	10 day(s)
R902546775	A A10VSO 45 DFR1/31R-PPA12N00	10	10 day(s)
R902504264	A A10VSO 45 DFR1/31R-VPA12N00	10	10 day(s)
R902506738	A A10VSO 45 DFR1/31R-VPA12N00 *GO2*	10	10 day(s)
R902544735	A AA10VSO 28 DRG /31L-VSC62N00	10	10 day(s)
R902546813	A AA10VSO100 DFR /31R-VKC62N00	10	10 day(s)
R902506700	A AA10VSO100 DFR /31R-VKC62N00 *GO2*	10	10 day(s)
R902504304	A10V O 28 DFR /31L-VSC62N00	10	10 day(s)
R902502726	A10V O 28 DFR /31R-VSC62N00	10	10 day(s)
R902502735	A10V O 28 DFR1/31R-VSC62N00	10	10 day(s)
R902504295	A10V O 45 DFR /31L-VUC62N00	10	10 day(s)
R902502728	A10V O 45 DFR /31R-VSC62K01	10	10 day(s)
R902413359	A10V O 45 DFR /31R-VSC62K68	10	10 day(s)
R902502703	A10V O 45 DFR /31R-VSC62N00	10	10 day(s)
R902504296	A10V O 45 DRG /31L-VSC62N00	10	10 day(s)
R902502700	A10V O 71 DFR /31L-VSC91N00	10	10 day(s)
R902502710	A10V O 71 DFR /31L-VSC92N00	10	10 day(s)
R902502698	A10V O 71 DFR /31R-VSC92N00	10	10 day(s)
R902504299	A10V O 71 DFR1/31R-VSC94N00	10	10 day(s)
R902502711	A10V O 71 DR /31R-VSC92N00	10	10 day(s)
R902502723	A10V O 71 DRG /31R-VSC92K68	10	10 day(s)
R902504293	A10V O100 DFR /31L-VUC62N00	10	10 day(s)
R902504300	A10V O100 DFR /31R-VUC62K07	10	10 day(s)
R902504294	A10V O100 DFR /31R-VUC62N00	10	10 day(s)
R902503597	A10V O100 DFR1/31L-VUC61N00	10	10 day(s)
R902504303	A10V O100 DFR1/31R-VUC62K07	10	10 day(s)
R902504324	A10VO140 DFR /31L-VSD62N00	10	10 day(s)
R902504328	A10VO140 DFR /31R-VSD62N00	10	10 day(s)
R902504333	A10VO140 DR /31L-VSD62N00	10	10 day(s)
R902502736	A10VSO 18 DFR /31R-VKC62N00	10	10 day(s)
R902503236	A10VSO 18 DFR /31R-VSC62N00	10	10 day(s)
R902504298	A10VSO 18 DFR /31R-VUC62N00	10	10 day(s)
R910945178	A10VSO 18 DFR1/31R-PPA12N00	10	10 day(s)
R902502702	A10VSO 18 DR /31R-VKC62N00	10	10 day(s)
R902502752	A10VSO 18 DRG /31R-VKC62N00	10	10 day(s)
R902502988	A10VSO 71 DR /31R-VPA42N00	10	10 day(s)
R902502989	A10VSO 71 DRG /31R-PPA12K01	10	10 day(s)
R902502996	A10VSO100 DFR1/31R-VPA12N00	10	10 day(s)
R902503000	A10VSO140 DFR1/31R-VPB12N00	10	10 day(s)
R902502185	AA10VSO 28 DFR /31R-VKC62K01	10	10 day(s)
R902502732	AA10VSO 28 DFR /31R-VKC62N00	10	10 day(s)
R902544727	AA10VSO 28 DR /31R-VKC62N00	10	10 day(s)
R902544728	AA10VSO 28 DR /31R-VKC62N00	10	10 day(s)

R902502734	AA10VSO 28 DRG /31R-VKC62N00	10	10 day(s)
R902502188	AA10VSO 45 DFR /31R-VKC62K01	10	10 day(s)
R902521476	AA10VSO 45 DFR /31R-VKC62K68	10	10 day(s)
R902502733	AA10VSO 45 DFR /31R-VKC62N00	10	10 day(s)
R902504391	AA10VSO 45 DFR /31R-VSC62N00	10	10 day(s)
R902502741	AA10VSO 45 DR /31R-VKC62N00	10	10 day(s)
R902502737	AA10VSO 45 DRG /31R-VKC62N00	10	10 day(s)
R902502186	AA10VSO 71 DFR /31R-VKC92K01	10	10 day(s)
R902400497	AA10VSO 71 DFR /31R-VKC92N00	10	10 day(s)
R902502127	AA10VSO 71 DFR1/31R-VKC92N00	10	10 day(s)
R902502981	AA10VSO 71 DR /31L-VKC92N00	10	10 day(s)
R902502980	AA10VSO 71 DR /31R-VKC92K01	10	10 day(s)
R902502701	AA10VSO 71 DR /31R-VKC92N00	10	10 day(s)
R902502985	AA10VSO 71 DRG /31R-VKC92N00	10	10 day(s)
R902502730	AA10VSO100 DFR /31R-VKC62N00	10	10 day(s)
R902502992	AA10VSO100 DR /31R-VKC62K01	10	10 day(s)
R902502997	AA10VSO100 DR /31R-VKC62N00	10	10 day(s)
R902502990	AA10VSO100 DRG /31R-VKC62N00	10	10 day(s)
R902503002	AA10VSO140 DFR /31R-VKD62K01	10	10 day(s)
R910940042	AA10VSO140 DFR /31R-VKD62N00	10	10 day(s)
R902503001	AA10VSO140 DFR /31R-VKD62N00	10	10 day(s)
R902502998	AA10VSO140 DFR1/31R-VKD62K01	10	10 day(s)
R902502731	AA10VSO140 DR /31R-VKD62N00	10	10 day(s)
R902503004	AA10VSO140 DRG /31R-VKD62N00	10	10 day(s)
R902506599	AE A10VSO 18 DR /31R-PKC62N00 *GO2*	10	10 day(s)
R902506596	AEAA10VSO 28 DR /31R-PKC62N00 *GO2*	10	10 day(s)
R902546863	AEAA10VSO 45 DR /31R-PKC62N00	10	10 day(s)
R902506597	AEAA10VSO100 DR /31R-PKC62N00 *GO2*	10	10 day(s)
R902506598	AEAA10VSO140 DR /31R-PKD62N00 *GO2*	10	10 day(s)
R902502986	EAA10VSO 71 DR /31R-VKC92N00	10	10 day(s)
R902500164	LA10V O100 DR /31R-VUC62N00	10	10 day(s)

GoTo Focused Delivery Program: Pumps

Variable Displacement Pumps - A10V(S)O (Series 52)



Variable displacement axial piston pump A10V(S)O, Series 52 in swashplate design is available for hydrostatic drives in an open circuit. The flow is proportional to the drive speed and displacement of the pump. Flow can be steplessly varied by adjusting the swashplate angle. Long service life, low noise, and a favorable power-to-weight ratio make it ideal for mobile and industrial applications requiring a compact drive.

For complete engineering and design information: **GoTo** www.boschrexroth-us.com/GoTopumps

Features

- Sizes 10 to 85 cc
- Axial piston swashplate design
- Open circuit
- Series 52
- Combination of pumps of up to same size can be mounted to the thru-drive (not with size 10)
- Graduated Lead Time:
 - - Quantity 10 or less, Lead Time 10 days
 - - Quantity 11+, Lead Time 40 days
- Detailed information:
 - RE-A92703

Technical Data

Size			18	28	45	60	85
Nominal pressure	p_N	bar (psi)	250 (3600)	250 (3600)	250 (3600)	250 (3600)	250 (3600)
Peak pressure	p_{max}	bar (psi)	315 (4600)	315 (4600)	315 (4600)	315 (4600)	315 (4600)
Displacement	$V_{g\ max}$	cm ³ (in ³)	10.5 (0.64)	28 (1.71)	45 (2.75)	60 (3.66)	85 (5.18)
Speed ¹⁾	n_{max}	rpm	3600	3000	2600	2700	2500
Flow	at n_{max}	$q_{V\ max}$ l/min (gpm)	38 (10.04)	84 (22)	117 (31)	163 (43)	212 (55)
Power	$\Delta p = 250\ bar$ (3600 PSI)	P_{max} kW	16	35	49	68	89
Torque	$\Delta p = 250\ bar$ (3600 PSI)	T_{max} Nm (lb-ft)	42 (31)	111 (82)	179 (132)	238 (176)	338 (247)
Weight (approx.)	m	kg (lbs.)	8 (18)	14 (31)	18 (40)	22 (49)	34 (75)

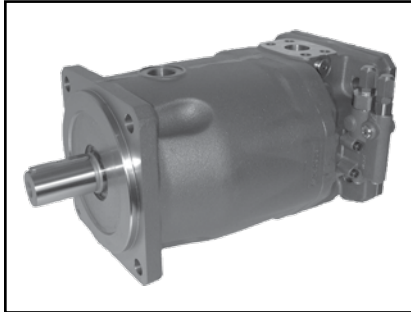
1) The values are valid at an absolute pressure of 1 bar (14.50 PSI) in suction port S.

Part Number	Description	Max. Quantity	Shipment (Business Days)
R902534923	A A10V O 60 DFR /52L-PUC61N00	10	10 day(s)
R902506739	A A10V O 60 DFR /52L-VUC61N00 *GO2*	10	10 day(s)
R902506858	A A10V O 60 DFR1/52R-VSD62N00 -SO 97	10	10 day(s)
R902504312	A10V O 28 DFR /52L-VSC64N00	10	10 day(s)
R902504639	A10V O 28 DFR /52R-VRC64N00	10	10 day(s)
R902502740	A10V O 28 DFR /52R-VSC64N00	10	10 day(s)
R902504642	A10V O 28 DFR1 /52R-VSC64N00	10	10 day(s)
R902504644	A10V O 28 DFR1 /52L-VSC64N00	10	10 day(s)
R902504651	A10V O 28 DFR1 /52R-VRC64N00	10	10 day(s)
R902504634	A10V O 28 DR /52L-VRC64N00	10	10 day(s)
R902504317	A10V O 28 DR /52L-VSC64N00	10	10 day(s)
R902504645	A10V O 28 DR /52R-VRC64N00	10	10 day(s)
R902504314	A10V O 28 DR /52R-VSC64N00	10	10 day(s)
R902502739	A10V O 45 DFR /52L-VSC64N00	10	10 day(s)
R902504305	A10V O 45 DFR /52L-VUC64N00	10	10 day(s)
R902504660	A10V O 45 DFR /52R-VSC62N00	10	10 day(s)
R902401405	A10V O 45 DFR /52R-VSC64N00	10	10 day(s)
R902505533	A10V O 45 DFR /52R-VSC64N00	10	10 day(s)
R902504662	A10V O 45 DFR /52R-VUC62N00	10	10 day(s)
R902504309	A10V O 45 DFR /52R-VUC64N00	10	10 day(s)
R902504652	A10V O 45 DFR1 /52L-VSC64N00	10	10 day(s)
R902504653	A10V O 45 DFR1 /52L-VUC64N00	10	10 day(s)
R902504663	A10V O 45 DFR1 /52R-VSC62N00	10	10 day(s)
R902505534	A10V O 45 DFR1/52L-VUC64N00	10	10 day(s)
R902502738	A10V O 45 DFR1/52R-VSC64N00	10	10 day(s)
R902504664	A10V O 45 DFR1/52R-VUC62N00	10	10 day(s)
R902504306	A10V O 45 DFR1/52R-VUC64N00	10	10 day(s)
R902505536	A10V O 45 DFR1/52R-VUC64N00	10	10 day(s)
R902504666	A10V O 45 DR /52R-VSC62N00	10	10 day(s)
R902504658	A10V O 45 DR /52R-VSC64N00	10	10 day(s)
R902504310	A10V O 45 DR /52R-VUC64N00	10	10 day(s)
R902504656	A10V O 45 DR /52L-VUC64N00	10	10 day(s)
R902504654	A10V O 45 DR/52L-VSC64N00	10	10 day(s)
R902504821	A10V O 60 DFR /52L-VSC62K68	10	10 day(s)
R902504690	A10V O 60 DFR /52L-VSC61N00	10	10 day(s)
R902504803	A10V O 60 DFR /52L-VSC62K04	10	10 day(s)
R902504746	A10V O 60 DFR /52L-VSC62N00	10	10 day(s)
R902504755	A10V O 60 DFR /52L-VUC62N00	10	10 day(s)
R902504800	A10V O 60 DFR /52R-VSC62K04	10	10 day(s)
R902504820	A10V O 60 DFR /52R-VSC62K68	10	10 day(s)
R902504743	A10V O 60 DFR /52R-VSC62N00	10	10 day(s)
R902504320	A10V O 60 DFR /52R-VSD61N00	10	10 day(s)
R902504727	A10V O 60 DFR /52R-VSD62N00	10	10 day(s)
R902506208	A10V O 60 DFR /52R-VSD62N00	10	10 day(s)
R902504697	A10V O 60 DFR /52R-VUC61N00	10	10 day(s)
R902504705	A10V O 60 DFR /52R-VWD61N00	10	10 day(s)
R902504790	A10V O 60 DFR/52L-VSD62K04	10	10 day(s)
R902504813	A10V O 60 DFR/52L-VSD62K68	10	10 day(s)
R902504787	A10V O 60 DFR/52R-VSD62K04	10	10 day(s)
R902504797	A10V O 60 DFR1 /52L-VSC62K04	10	10 day(s)
R902504669	A10V O 60 DFR1 /52L-VSD61N00	10	10 day(s)
R902504692	A10V O 60 DFR1/52L-VSC61N00	10	10 day(s)

R902504292	A10V O 60 DFR1/52L-VSD62K04	10	10 day(s)
R902504728	A10V O 60 DFR1/52L-VSD62N00	10	10 day(s)
R902504700	A10V O 60 DFR1/52L-VUC61N00	10	10 day(s)
R902504712	A10V O 60 DFR1/52L-VWD61N00	10	10 day(s)
R902504689	A10V O 60 DFR1/52R-VSC61N00	10	10 day(s)
R902502753	A10V O 60 DFR1/52R-VSD61N00	10	10 day(s)
R902504789	A10V O 60 DFR1/52R-VSD62K04	10	10 day(s)
R902504316	A10V O 60 DFR1/52R-VSD62N00	10	10 day(s)
R902504319	A10V O 60 DFR1/52R-VUC61N00	10	10 day(s)
R902505535	A10V O 60 DFR1/52R-VUC61N00	10	10 day(s)
R902504753	A10V O 60 DFR1/52R-VUC62N00	10	10 day(s)
R902504708	A10V O 60 DFR1/52R-VWD61N00	10	10 day(s)
R902504759	A10V O 60 DR /52L-VUC62N00	10	10 day(s)
R902504749	A10V O 60 DR /52R-VSC62N00	10	10 day(s)
R902504730	A10V O 60 DR /52R-VSD62N00	10	10 day(s)
R902504757	A10V O 60 DR /52R-VUC62N00	10	10 day(s)
R902504806	A10V O 60 DR /52L-VSC62K04	10	10 day(s)
R902504693	A10V O 60 DR /52R-VSC61N00	10	10 day(s)
R902504671	A10V O 60 DR /52R-VSD61N00	10	10 day(s)
R902504685	A10V O 60 DR/52L-VUD61N00	10	10 day(s)
R902501461	A10V O 60 DRG /52R-VUC62N00 -SO 97	10	10 day(s)
R902504835	A10V O 85 DFR /52L-VUC61N00	10	10 day(s)
R902504326	A10V O 85 DFR /52L-VUC62N00	10	10 day(s)
R902504834	A10V O 85 DFR /52R-VUC61N00	10	10 day(s)
R902504322	A10V O 85 DFR /52R-VUC62N00	10	10 day(s)
R902504832	A10V O 85 DFR1/52L-VUC61N00	10	10 day(s)
R902504826	A10V O 85 DFR1/52L-VUC62N00	10	10 day(s)
R902501434	A10V O 85 DFR1/52R-VUC61N00	10	10 day(s)
R902504330	A10V O 85 DFR1/52R-VUC62N00	10	10 day(s)
R902504828	A10V O 85 DR/52L-VUC62N00	10	10 day(s)
R902476345	A10VSO 10 DFR /52R-VKC64N00 E	5	10 day(s)

GoTo Focused Delivery Program: Pumps

Variable Displacement Pumps - A10VSO (Series 32)



Variable displacement axial piston pump A10VSO, Series 32 in swashplate design is available for hydrostatic drives in an open circuit. The flow is proportional to the drive speed and displacement of the pump. It contains a port for pressure transducers in the pump outlet and is highly resistant to sudden drops and spikes in pressure, contributing to maximum efficiency. Generally used in industrial applications, the Series 32 has a low-noise design and features a Universal through-drive with coverplate.

For complete engineering and design information: GoTo www.boschrexroth-us.com/GoTopumps

Features

- Sizes 71, 140, & 180 cc (A10VSO)
- Sizes 45 & 100 cc (A10VO)
- Axial piston swashplate design
- Open circuit
- Series 32
- Detailed information: RE-A92714 (A10VSO), RE92705 (A10VO)

Technical Data

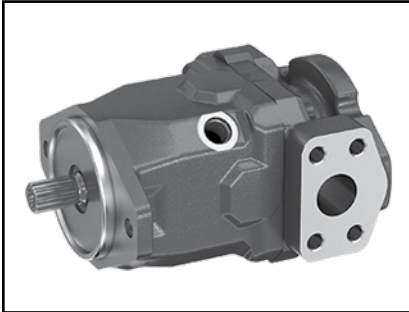
Size (A10VSO)			71	140	180	
Nominal pressure	p_N	bar (psi)	280 (4000)			
Peak pressure	p_{max}	bar (psi)	350 (5100)			
Displacement	$V_{g\ max}$	cm ³ (in ³)	71 (4.33)	140 (8.54)	180 (10.98)	
Speed ¹⁾	n_{max}	rpm	1800			
Flow	at n_{max}	qV_{max}	l/min (gpm)	128 (33.8)	252 (67)	324 (85.6)
Power	$\Delta p = 280$ bar (4000 PSI)	P_{max}	kW	59.7	118	151
Torque	$\Delta p = 280$ bar (4000 PSI)	T_{max}	Nm (lb-ft)	317 (234)	624 (454)	802 (589)
Weight (approx.)	m	kg (lbs.)	47 (104)	73 (161)	78 (171)	

Size (A10VO)			45	100	
Nominal pressure	p_N	bar (psi)	280 (4000)		
Peak pressure	p_{max}	bar (psi)	350 (5100)		
Displacement	$V_{g\ max}$	cm ³ (in ³)	45 (2.75)	100 (6.10)	
Speed ¹⁾	n_{max}	rpm	3000	2300	
Flow	at n_{max}	qV_{max}	l/min (gpm)	135 (35.7)	230 (60.8)
Power	$\Delta p = 280$ bar (4000 PSI)	P_{max}	kW	83	107
Torque	$\Delta p = 280$ bar (4000 PSI)	T_{max}	Nm (lb-ft)	200 (148)	446 (329)
Weight (approx.)	m	kg (lbs.)	30 (66)	69 (152)	

Part Number	Description	Max. Quantity	Shipment (Business Days)
R902553517	A10V O100LA6DG/32R-VSC72U00E	3	10 day(s)
R902553519	A10VO 45 LA7DG/32R-VSC72U00E	3	10 day(s)
R902551878	A10VSO 71 LA6DG/32R-VSD72U00E	3	10 day(s)
R902513544	A10VSO140 DRG /32R-VSD72U00E	3	10 day(s)
R902514124	A10VSO140 DRS /32R-VSD72U00E	3	10 day(s)
R902551880	A10VSO140LA6DG/32R-VSD72U00E	3	10 day(s)
R902534337	A10VSO180 DRF /32R-VSD72U00E	3	10 day(s)
R902497939	A10VSO180 DRG /32R-VKD72U00E E	3	10 day(s)

GoTo Focused Delivery Program: Pumps

Variable Displacement Pumps - A10FZO (Series 10)



Developed for use in speed-controlled drives, the A10FZO is built to withstand frequent changing of direction and start/stop operation. Even at the lowest speed between 0 and 200 rpm, they provide a constant pressure and offer extremely high efficiency in pressure holding operation. The A10FZO units can be used as pumps in one- and two-quadrant operation.

For complete engineering and design information: GoTo www.boschrexroth-us.com/GoTopumps

Features

- For use in single- and double-quadrant operation
- Suitable for start/stop-operation
- Suitable for long pressure retention operation
- Well-tried A10 rotary group technology
- Through drive possibility
- High total efficiency
- Swashplate design
- Detailed information: RE91485

Technical Data

Size			10	18	28	45	63	
Displacement geometric, per revolution	V_g	cm ³ (in ³)	10.6 (0.65)	18 (1.10)	28 (1.71)	45 (2.75)	63 (3.84)	
Nominal pressure	p_{nom}	bar (psi)	315 (4600)					
Maximum pressure	p_{max}	bar (psi)	350 (5100)					
Maximum speed	n_{nom}	rpm	3600	3300	3000		2600	
Flow	at n_{nom}	q_v	l/min (gpm)	38.2 (10.1)	59.4 (15.7)	84 (22.2)	135 (35.7)	164 (43.3)
Power	at n_{nom} and p_{nom}	P	kW (HP)	20 (27)	31.2 (42)	44 (59)	71 (95)	86 (115)
Torque	at p_{nom}	M	Nm (lb-ft)	53 (39)	90.3 (66.5)	140.4 (103.5)	225.7 (166.5)	316 (233)
Weight (approx.)	m	kg (lbs.)	9 (20)	10 (22)	15.5 (34)	21 (46)	26 (57)	

Part Number	Description	Max. Quantity	Shipment (Business Days)
R902518486	A10FZO010/10R-VSC02N00	3	10 day(s)
R902544056	A A10FZO018/10R-VRC02N00	3	10 day(s)
R902534669	A A10FZO028/10R-VRC02N00	3	10 day(s)
R902548015	A A10FZO045/10R-VRC02N00	3	10 day(s)
R902550737	A A10FZO063/10R-VRC02N00	3	10 day(s)

GoTo Focused Delivery Program: Pumps

Variable Displacement Pumps - (A)A4CSG (Series 30 & 33)



Variable displacement axial piston pump (A)A4CSG is designed for hydrostatic drives in a closed circuit. The flow is proportional to the drive speed and displacement of the pump, which can be made infinitely variable through control of the swashplate angle. The (A)A4CSG features integrated boost pump and valving required for closed circuit operation which acts as both a feed pump and pilot pressure supply.

For complete engineering and design information: **GoTo** www.boschrexroth-us.com/GoToPumps

Features

- Sizes 255 & 500 cc
- Nominal pressure: 5100 psi (350 bar)
- Peak pressure: 5800 psi (400 bar)
- Highly efficient with long service life
- Compact design, short installation length

Technical Data

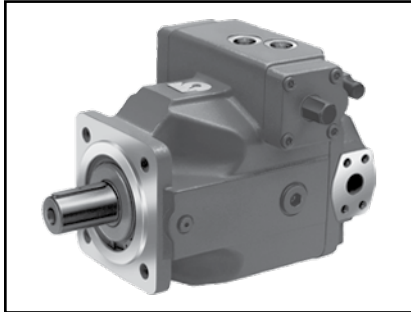
Size			355	500	
Displacement, geometric, per revolution	$V_{g \max}$	in ³	21.7	30.5	
Nominal pressure	p_{nom}	psi	5100	5100	
Maximum pressure	p_{max}	psi	5800	5800	
Maximum speed	at $V_{g \max}$	n_{nom}	rpm	2000	1800
Flow	at $V_{g \max}$ and n_{nom}	$q_{V \text{ nom}}$	gpm	188	238
Power	at $q_{V \text{ nom}}$ and Δp_{nom} ¹⁾	P	hp	555	704
Torque	at $V_{g \max}$ and Δp_{nom}	M	lb-ft	1457	2053
Weight (approx.)	m	lbs	522	772	

1) $\Delta p_{\text{nom}} = 5100 \text{ psi}$

Part Number	Description	Max. Quantity	Shipment (Business Days)
R902557653	P A4CSG 500 EPG /33R-VZH85F994N	3	10 day(s)
R902557655	P AA4CSG 355 EPG /30R-VRD85F994N	3	10 day(s)

GoTo Focused Delivery Program: Pumps

Variable Displacement Pumps - (A)A4VSO (Series 10 & 30)



Variable displacement axial piston pump (A)A4VSO in swashplate design is available for open circuit applications. Sizes 40 & 71 are available in Series 10; sizes 125-250 are available in Series 30 and have the U99 Universal through-drive with coverplate. The flow is proportional to the input drive speed and displacement. By adjusting the swashplate angle, it is possible to infinitely vary the output flow. This rugged, low-noise pump is generally used in industrial 24/7 applications.

For complete engineering and design information: GoTo www.boschrexroth-us.com/GoTopumps

Features

- Sizes 40 to 250 cc
- Series 10 & 30
- Open circuit
- HFC Seal Versions
- Special "F" variant available for water-content fluids - bearing flushing required
- Special "F2" variant available for water-content fluids - operation without bearing flushing (size 250 only)
- Detailed information: RA92050, RE-A92053 (HFC Fluids)

Technical Data

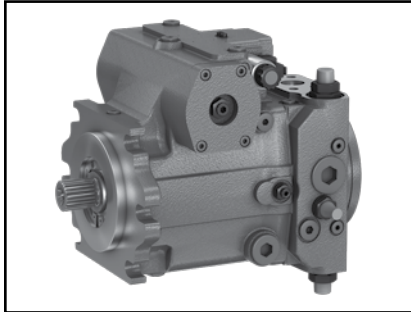
Size			40	71
Nominal pressure	p_N	bar (psi)	350 (5100)	350 (5100)
Peak pressure	p_{max}	bar (psi)	400 (5800)	400 (5800)
Displacement	$V_{g\ max}$	cm ³ (in ³)	40 (2.44)	71 (4.33)
Speed ¹⁾	n_{max}	rpm	2600	2200
Flow at n_{max}	$q_{v\ max}$	l/min (gpm)	104 (27.5)	156 (41.2)
Power $\Delta p = 350$ bar (5100 PSI)	P_{max}	kW	61	91
Torque $\Delta p = 350$ bar (5100 PSI)	T_{max}	Nm (lb-ft)	223 (165)	395 (292)
Weight (approx.)	m	kg (lbs.)	39 (86)	53 (117)

Size			125	180	250
Nominal pressure	p_N	bar (psi)	350 (5100)	350 (5100)	350 (5100)
Peak pressure	p_{max}	bar (psi)	400 (5800)	400 (5800)	400 (5800)
Displacement	$V_{g\ max}$	cm ³ (in ³)	125 (7.63)	180 (11.0)	250 (15.26)
Speed ¹⁾	n_{max}	rpm	1800	1800	1500
Flow at n_{max}	$q_{v\ max}$	l/min (gpm)	225 (59.4)	324 (85.6)	375 (99)
Power $\Delta p = 350$ bar (5100 PSI)	P_{max}	kW	131	189	219
Torque $\Delta p = 350$ bar (5100 PSI)	T_{max}	Nm (lb-ft)	696 (516)	1002 (744)	1391 (1032)
Weight (approx.)	m	kg (lbs.)	1391 (1032)	102 (225)	184 (406)

Part Number	Description	Max. Quantity	Shipment (Business Days)
R902406306	A AA4VSO 40 DR /10R-PKD63N00 E	3	10 day(s)
R902406401	A AA4VSO 71 DR /10R-PKD63N00 E	3	10 day(s)
R902446067	A AA4VSO 125 DR /30R-FKD75U99 E	3	10 day(s)
R902451164	A AA4VSO 125 DR /30R-VKD75U99 E	3	10 day(s)
R902446069	A AA4VSO 180 DR /30R-FKD75U99 E	3	10 day(s)
R902446024	A AA4VSO 180 DR /30R-VKD75U99 E	3	10 day(s)
R902445974	A AA4VSO 250 DR /30R-FKD75U99 E	3	10 day(s)
R902445975	AHAA4VSO 250 DR /30R-VKD75U99 E	3	10 day(s)
R902480613	AHAA4VSO 250 DRG /30R-VKD75U99 E	3	10 day(s)

GoTo Focused Delivery Program: Pumps

Variable Displacement Pumps - AA4VG (Series 32)



Variable displacement axial piston pump AA4VG, Series 32 in swashplate design is for hydrostatic closed circuit transmissions. The flow is proportional to drive speed and displacement which is infinitely variable depending on the swashplate angle. The pump is equipped with two pressure relief valves on the high pressure ports to protect the transmission from overload.

For complete engineering and design information: **GoTo** www.boschrexroth-us.com/GoTopumps

Features

- Sizes 56 to 125 cc
- Axial piston swashplate design
- Closed circuit
- Series 32
- Integrated boost pump acts as feed and oil control pump
- Graduated Lead Time as follows:
- Quantity 10 or less, Lead Time 10 days
- Quantity 11+, Lead Time 40 days
- Detailed information: RE-A92003

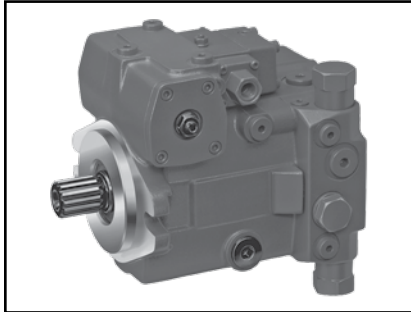
Technical Data

Size			56	71	90	125	
Nominal pressure	p_N	bar (psi)	400 (5800)	400 (5800)	400 (5800)	400 (5800)	
Peak pressure	p_{max}	bar (psi)	450 (6500)	450 (6500)	450 (6500)	450 (6500)	
Displacement	$V_{g\ max}$	cm ³ (in ³)	56 (3.42)	71 (4.33)	90 (5.49)	125 (7.63)	
Speed ¹⁾	n_{max}	rpm	3600	3300	3050	2850	
Flow	at n_{max}	$q_{V\ max}$	l/min (gpm)	202 (53.4)	234 (61.8)	275 (72.5)	356 (94.1)
Power	$\Delta p = 400\ \text{bar}$ (5800 PSI)	P_{max}	kW	134	156	183	237
Torque	$\Delta p = 400\ \text{bar}$ (5800 PSI)	T_{max}	Nm (lb-ft)	356 (263)	451 (333)	572 (422)	795 (587)
Weight (approx.)	m	kg (lbs.)	38 (84)	50 (110)	60 (145)	80 (176)	

Part Number	Description	Max. Quantity	Shipment (Business Days)
R902232831	AA4VG125EP4D1/32L-NSF52F001DP	10	10 day(s)
R902232830	AA4VG125EP4D1/32R-NSF52F001DP	10	10 day(s)
R902232833	AA4VG125HD3D1/32L-NSF52F001D	10	10 day(s)
R902232832	AA4VG125HD3D1/32R-NSF52F001D	10	10 day(s)
R902232806	AA4VG56EP3D1/32L-NSC52F005DP	10	10 day(s)
R902232804	AA4VG56EP3D1/32R-NSC52F005DP	10	10 day(s)
R902232808	AA4VG56EP3D1/32R-NSC52F025DP-S	10	10 day(s)
R902232807	AA4VG56EP4D1/32L-NSC52F005DP	10	10 day(s)
R902232805	AA4VG56EP4D1/32R-NSC52F005DP	10	10 day(s)
R902232809	AA4VG56EP4D1/32R-NSC52F025DP-S	10	10 day(s)
R902232811	AA4VG56HD3D1/32L-NSC52F005D	10	10 day(s)
R902232810	AA4VG56HD3D1/32R-NSC52F005D	10	10 day(s)
R902232812	AA4VG56HD3D1/32R-NSC52F025D-S	10	10 day(s)
R902232814	AA4VG71EP3D1/32L-NSF52F001DP	10	10 day(s)
R902232813	AA4VG71EP3D1/32R-NSF52F001DP	10	10 day(s)
R902232815	AA4VG71EP3D1/32R-NSF52F011DP-S	10	10 day(s)
R902232817	AA4VG71EP4D1/32L-NSF52F001DP	10	10 day(s)
R902232816	AA4VG71EP4D1/32R-NSF52F001DP	10	10 day(s)
R902232818	AA4VG71EP4D1/32R-NSF52F011DP-S	10	10 day(s)
R902232820	AA4VG71HD3D1/32L-NSF52F001D	10	10 day(s)
R902232819	AA4VG71HD3D1/32R-NSF52F001D	10	10 day(s)
R902232821	AA4VG71HD3D1/32R-NSF52F011D-S	10	10 day(s)
R902232822	AA4VG90EP3D1/32R-NSF52F001DP	10	10 day(s)
R902232825	AA4VG90EP4D1/32L-NSF52F001DP	10	10 day(s)
R902232827	AA4VG90HD3D1/32L-NSF52F001D	10	10 day(s)
R902232826	AA4VG90HD3D1/32R-NSF52F001D	10	10 day(s)

GoTo Focused Delivery Program: Pumps

Variable Displacement Pumps - AA10VG (Series 10)



Variable displacement axial piston pump AA10VG, Series 10 in swashplate design is available for hydrostatic closed circuit transmissions. The flow is proportional to the drive speed and displacement and is infinitely variable depending on the swashplate angle. The pump is equipped with two pressure relief valves on the high pressure ports to protect the transmission from overload.

For complete engineering and design information: GoTo www.boschrexroth-us.com/GoTopumps

Features

- Sizes 18 to 45 cc
- Axial piston swashplate design
- Closed circuit
- Series 10
- Pressure relief valves also function as boost valves
- Graduated Lead Time as follows:
 - Quantity 10 or less, Lead Time 10 days
 - Quantity 11+, Lead Time 40 days
- Detailed information: RA92750

Technical Data

Size			18	28	45	
Nominal pressure	p_N	bar (psi)	300 (4350)	300 (4350)	300 (4350)	
Peak pressure	p_{max}	bar (psi)	350 (5100)	350 (5100)	350 (5100)	
Displacement	$V_{g\ max}$	cm ³ (in ³)	18 (1.10)	28 (1.71)	46 (2.81)	
Speed ¹⁾	n_{max}	rpm	4000	3900	3300	
Flow	at n_{max}	$q_{V\ max}$	l/min (gpm)	72 (19)	109 (28.8)	152 (40.2)
Power	$\Delta p = 300\ bar$ (4350 PSI)	P_{max}	kW	36	54.6	75.9
Torque	$\Delta p = 300\ bar$ (4350 PSI)	T_{max}	Nm (lb-ft)	86 (63.5)	134 (99)	220 (162)
Weight (approx.)	m	kg (lbs.)	14 (31)	25 (55)	27 (60)	

Part Number	Description	Max. Quantity	Shipment (Business Days)
R902232792	AA10VG18EP31/10L-NSC66F025SP-S	10	10 day(s)
R902232791	AA10VG18EP31/10R-NSC66F025SP-S	10	10 day(s)
R902232794	AA10VG18HD31/10L-NSC66F025S-S	10	10 day(s)
R902232796	AA10VG28EP3D1/10L-NSC60F045DP-S	10	10 day(s)
R902232797	AA10VG28EP3D1/10R-NSC60F015DP-S	10	10 day(s)
R902232795	AA10VG28EP3D1/10R-NSC60F045DP-S	10	10 day(s)
R902232799	AA10VG28HD3D1/10L-NSC60F045D-S	10	10 day(s)
R902232798	AA10VG28HD3D1/10R-NSC60F045D-S	10	10 day(s)
R902232801	AA10VG45EP3D1/10L-NSC60F045DP-S	10	10 day(s)
R902232800	AA10VG45EP3D1/10R-NSC60F045DP-S	10	10 day(s)
R902232803	AA10VG45HD3D1/10L-NSC60F045D-S	10	10 day(s)
R902232802	AA10VG45HD3D1/10R-NSC60F045D-S	10	10 day(s)

GoTo Focused Delivery Program: Pumps

External Gear Pumps - AZPF and AZPN



Bosch Rexroth has been involved with the design, development and manufacture of gear pumps for many decades. Well-proven designs, the use of specially developed materials, constant testing and sophisticated mass production techniques ensure products of the very highest quality.

For complete engineering and design information: GoTo www.boschrexroth-us.com/GoTopumps

Features

- AZPF - sizes 4 to 28 cc; AZPN - sizes 20 to 36 cc
- Plain bearings for high loads
- Drive shafts according to ISO or SAE and customer-specific standards
- Combination of several pumps possible
- Line connections: connecting flanges or female threads
- Detailed information: RA10089 - AZPF, RA10097 - AZPN

Technical Data

AZPF – Size				4	5	8	11	14	16	19	22	25	28
Displacement	V_g max	cm ³ (in ³)	4.1 (0.26)	5.6 (0.35)	8.2 (0.51)	11.3 (0.71)	14.3 (0.89)	16.5 (1.03)	19.5 (1.22)	22.9 (1.43)	25.4 (1.59)	28.5 (1.78)	
Operating pressure, continuous	p_1 max	bar (psi)	250 (3600)	250 (3600)	250 (3600)	250 (3600)	250 (3600)	250 (3600)	250 (3600)	210 (3045)	180 (2610)	200 (2900)	170 (2500)
Operating pressure, intermittent	p_3	bar (psi)	280 (4100)	280 (4100)	280 (4100)	280 (4100)	280 (4100)	280 (4100)	280 (4100)	230 (3335)	210 (3045)	220 (3200)	190 (2800)
Max. speed at p_1	n	rpm	3500	3500	3500	3000	2500	2500	2500	2500	2000	2000	2000
Min. speed at p_1	n	rpm	600	500	500	500	500	500	500	500	500	500	500

Note:

- Applicable to an oil viscosity of 25 mm²/s (116 SUS) and an oil temperature of 55 °C (131 °F) with HLP 46.
- The pressure in the suction port is 0.7 bar (10.2 PSI) min and 3 bar (43.5 PSI) max absolute.

AZPN – Size			20	22	25	28	32	36
Displacement	cm ³ /rev (in ³ /rev)		20.4 (1.24)	23.1 (1.41)	25.8 (1.57)	28.4 (1.73)	32.4 (1.98)	36.4 (2.22)
Inlet pressure	bar (psi)		min. 0.7; max. 3 (min. 10.2; max 43.5) [absolute]					
Max. continuous pressure	p_1	bar (psi)	230 (3335)	230 (3335)	230 (3335)	210 (3045)	180 (2610)	160 (2610)
Max. intermittent pressure	p_2	bar (psi)	250 (3625)	250 (3625)	250 (3625)	230 (3335)	200 (2900)	180 (2610)
Max. peak pressure	p_3	bar (psi)	270 (3915)	270 (3915)	270 (3915)	250 (3625)	220 (3190)	200 (2900)
Min. rotational speed ≤ 100	rpm		500	500	500	500	500	500
Max. rotational speed	p_1	rpm	2500	2500	2500	2300	2300	2100
	p_2	rpm	3000	3000	3000	2800	2800	2600

Part Number	Description	Max. Quantity	Shipment (Business Days)
9510290039	AZ-P-F-12-011-LRR12MB	3	10 day(s)
9510290040	AZ-P-F-12-014-LRR12MB	3	10 day(s)
9510390007	AZ-P-N-12-020-LDC12MB	3	10 day(s)
9510390139	AZ-P-N-12-036-RXR12MA-S0075	3	10 day(s)
0510225011	AZPF-10-004RQR12MB	3	10 day(s)
0510325006	AZPF-11-005RCB20MB	3	10 day(s)
0510325011	AZPF-11-005RQR12MB	3	10 day(s)
0510425009	AZPF-11-008RCB20MB	3	10 day(s)
0510425016	AZPF-11-008RQR12MB	3	10 day(s)
0510525009	AZPF-11-011RCB20MB	3	10 day(s)
0510225006	AZPF-12-004RCB20KB	3	10 day(s)
9510290021	AZPF-12-004RQR12MB	3	10 day(s)
9510290015	AZPF-12-004RRR12MB	3	10 day(s)
9510290037	AZPF-12-005LRR12MB	3	10 day(s)
9510290022	AZPF-12-005RQR12MB	3	10 day(s)
9510290005	AZPF-12-005RRR12MB	3	10 day(s)
9510290046	AZPF-12-008LQR12MB	3	10 day(s)
9510290038	AZPF-12-008LRR12MB	3	10 day(s)
9510290023	AZPF-12-008RQR12MB	3	10 day(s)
9510290017	AZPF-12-008RRR12MB	3	10 day(s)
9510290024	AZPF-12-011-RQR12MB	3	10 day(s)
9510290414	AZPF-12-011-RRR12MB	3	10 day(s)
9510290025	AZPF-12-014-RQR12MB	3	10 day(s)
9510290004	AZPF-12-014-RRR12MB	3	10 day(s)
9510290122	AZPF-12-016RQR12MB	3	10 day(s)
9510290026	AZPF-12-016RQR12MB-S0040 - OK	3	10 day(s)
9510290056	AZPF-12-016RRR12MB	3	10 day(s)
9510290128	AZPF-12-019LRR12MB	3	10 day(s)
9510290042	AZPF-12-019LRR12MB-S0040	3	10 day(s)
9510290123	AZPF-12-019RQR12MB	3	10 day(s)
9510290027	AZPF-12-019RQR12MB-S0040	3	10 day(s)
9510290125	AZPF-12-019RRR12MB	3	10 day(s)
9510290124	AZPF-12-022RQR12MB	3	10 day(s)
9510290028	AZPF-12-022RQR12MB-S0040	3	10 day(s)
9510290126	AZPF-12-022RRR12MB	3	10 day(s)
9510290112	AZPF-22-025RQR12MB-S0040	3	10 day(s)
9510290111	AZPF-22-025RRR12MB	3	10 day(s)
9510290120	AZPF-22-028LRR12MB	3	10 day(s)
9510290115	AZPF-22-028RQR12MB-S0040	3	10 day(s)
9510290114	AZPF-22-028RRR12MB	3	10 day(s)
9510390001	AZPN-12-020-RDC12MB	3	10 day(s)
9510390002	AZPN-12-022-RDC12MB	3	10 day(s)
9510390135	AZPN-12-022RXR12MA-S0075	3	10 day(s)
9510390009	AZPN-12-025LDC12MB-S0040	3	10 day(s)
9510390003	AZPN-12-025RDC12MB-S0040	3	10 day(s)
9510390004	AZPN-12-028RDC12MB-S0040	3	10 day(s)
9510390011	AZPN-12-032LDC12MB-S0040	3	10 day(s)
9510390005	AZPN-12-032RDC12MB-S0040	3	10 day(s)
9510390053	AZPN-12-032RQC12MB-S0040	3	10 day(s)
9510390054	AZPN-12-036-RQC12MB	3	10 day(s)
9510390006	AZPN-12-036RDC12MB-S0040	3	10 day(s)
9510390052	AZPN12-028-RQC12MB-S0040	3	10 day(s)

GoTo Focused Delivery Program: Pumps

External Gear Pumps - AZPG



Bosch Rexroth has been involved with the design, development and manufacture of gear pumps for many decades. Well-proven designs, the use of specially developed materials, constant testing and sophisticated mass production techniques ensure products of the very highest quality.

For complete engineering and design information: **GoTo** www.boschrexroth-us.com/GoTopumps

Features

- Sizes 32cc to 63cc
- Aluminum body design with cast iron end covers
- Drive shaft according to ISO or SAE and customer specific standards
- Combination pumps are possible
- Port connections, threaded or flanged
- Plain bearings for high loads
- Detailed information: RA10097

Technical Data

Nominal size		32	36	40	45	50	56	63
Displacement	cm ³ (in ³)	32 (1.95)	36 (2.20)	40 (2.44)	45 (2.75)	50 (3.05)	56 (3.42)	63 (3.84)
Speed Range	min	500						
	max	2800			2600		2300	
Rated Pressure	bar (psi)	250 (3625)				220 (3190)	195 (2830)	170 (2465)
Weight	kg (lbs)	9.8 (21.6)	10 (22.0)	10.2 (22.5)	10.4 (22.9)	10.6 (10.6)	10.8 (23.8)	11.2 (24.7)
Fluid Temperature Range	NBR (buna)	max 80°C (176°F)						
	FKM (viton)	max 110°C (230°F)						
Inlet Pressure (absolute)	bar (psia)	0.7 to 3 (10.2 to 43.5)						

Part Number	Description	Max. Quantity	Shipment (Business Days)
9510490044	AZPG-22-032RDC40MB	3	10 day(s)
9510490084	AZPG-22-032RQC40MB	3	10 day(s)
9510490045	AZPG-22-036RDC40MB	3	10 day(s)
9510490085	AZPG-22-036RQC40MB	3	10 day(s)
9510490046	AZPG-22-040RDC40MB	3	10 day(s)
9510490086	AZPG-22-040RQC40MB	3	10 day(s)
9510490047	AZPG-22-045RDC40MB	3	10 day(s)
9510490087	AZPG-22-045RQC40MB	3	10 day(s)
9510490049	AZPG-22-056RDC40MB	3	10 day(s)
9510490089	AZPG-22-056RQC40MB	3	10 day(s)
9510490050	AZPG-22-063RDC40MB	3	10 day(s)
9510490090	AZPG-22-063RQC40MB	3	10 day(s)

GoTo Focused Delivery Program: Pumps

External Gear Pumps - AZPB



Bosch Rexroth has been involved with the design, development and manufacture of gear pumps for many decades. Well-proven designs, the use of specially developed materials, constant testing and sophisticated mass production techniques ensure products of the very highest quality.

For complete engineering and design information: **GoTo** www.boschrexroth-us.com/GoTopumps

Features

- Sizes 1.0 cc to 7.1 cc
- Aluminum body design with cast iron end covers
- Drive shaft according to SAE and customer specific standards
- Combination pumps are possible|SAE threaded port connections
- Slide bearings for high loads

Technical Data

Nominal size		1.0	2.0	3.1	4.0	5.0	6.3	7.1
Displacement	cm ³ (in ³)	1.0 (0.06)	2.0 (0.12)	3.1 (0.19)	4.0 (0.24)	5.0 (0.31)	6.3 (0.38)	7.1 (0.43)
Speed Range	min	750						
	max	6000	5000	4000		3500		
Rated Pressure	bar (psi)	220 (3190)						
Fluid Temperature Range	NBR (buna)	max 80°C (176°F)						
	FKM (viton)	max 110°C (230°F)						
Inlet Pressure (absolute)	bar (psia)	0.7 to 3.0 (10.2 to 43.5)						

Part Number	Description	Max. Quantity	Shipment (Business Days)
R979107374	AZPB-32-1.0RQR12KB	3	10 day(s)
R979107383	AZPB-32-1.0RQR12KB-S0022	3	10 day(s)
R979107365	AZPB-32-1.0RRR12KB	3	10 day(s)
R979107375	AZPB-32-2.0RQR12KB	3	10 day(s)
R979107384	AZPB-32-2.0RQR12KB-S0022	3	10 day(s)
R979107366	AZPB-32-2.0RRR12KB	3	10 day(s)
R979107377	AZPB-32-3.1RQR12KB	3	10 day(s)
R979107386	AZPB-32-3.1RQR12KB-S0022	3	10 day(s)
R979107368	AZPB-32-3.1RRR12KB	3	10 day(s)
R979107378	AZPB-32-4.0RQR12KB	3	10 day(s)
R979107387	AZPB-32-4.0RQR12KB-S0022	3	10 day(s)
R979107369	AZPB-32-4.0RRR12KB	3	10 day(s)
R979107380	AZPB-32-5.0RQR12KB	3	10 day(s)
R979107389	AZPB-32-5.0RQR12KB-S0022	3	10 day(s)
R979107371	AZPB-32-5.0RRR12KB	3	10 day(s)
R979107381	AZPB-32-6.3RQR12KB	3	10 day(s)
R979107390	AZPB-32-6.3RQR12KB-S0022	3	10 day(s)
R979107372	AZPB-32-6.3RRR12KB	3	10 day(s)
R979107382	AZPB-32-7.1RQR12KB	3	10 day(s)
R979107391	AZPB-32-7.1RQR12KB-S0022	3	10 day(s)
R979107373	AZPB-32-7.1RRR12KB	3	10 day(s)

GoTo Focused Delivery Program: Pumps

Radial Piston Pumps



Hydraulic pumps of type R4 are integral check valve-controlled, selfpriming radial piston pumps with fixed displacement. R4 pumps are designed for high pressure operation and long life.

For complete engineering and design information: **GoTo** www.boschrexroth-us.com/gotopumps

Features

- Sizes 1.6 to 20
- Radial piston pump with 3, 5 or 10 pistons
- Self-priming, valve-controlled
- Long bearing life due to hydro-dynamically lubricated plain bearings
- Optional combination with variable displacement vane and axial piston pumps

Technical Data

Technical Data			Technical Data						
Size			1.6	2.0	2.5	3.15	4.0	6.3	8.0
Displacement	$V_{g \max}$	cm ³ (in ³)	1.51 (0.09)	2.14 (0.13)	2.59 (0.16)	3.57 (0.22)	4.32 (0.26)	7.14 (0.44)	8.63 (0.53)
Operating pressure	p_{\max}	bar (PSI)	700 (10,150)	700 (10,150)	700 (10,150)	700 (10,150)	700 (10,150)	700 (10,150)	700 (10,150)
Power ¹⁾	P	kW (HP)	2.9 (3.89)	4.1 (5.50)	4.9 (6.57)	6.8 (9.12)	8.1 (10.86)	13.6 (18.24)	16.1 (21.59)
Speed	n	rpm	1000 to 2000						
Weight (approx.)	m	kg (lbs)	9.2 (20.3)	9.2 (20.3)	9.2 (20.3)	12.4 (27.3)	12.4 (27.3)	16.4 (36.1)	16.4 (36.1)

Size			3.15	5.0	6.3	8.0	10.0	16.0	20.0
Displacement	$V_{g \max}$	cm ³ (in ³)	3.39 (0.21)	4.82 (0.29)	5.83 (0.36)	8.03 (0.49)	9.71 (0.59)	16.07 (0.98)	19.43 (1.19)
Operating pressure	p_{\max}	bar (PSI)	500 (7250)	500 (7250)	500 (7250)	500 (7250)	500 (7250)	500 (7250)	500 (7250)
Power ¹⁾	P	kW (HP)	4.7 (6.30)	6.7 (8.98)	7.9 (10.59)	10.9 (14.62)	12.9 (17.30)	21.2 (28.43)	25.3 (33.93)
Speed	n	rpm	1000 to 2000						
Weight (approx.)	m	kg (lbs)	9.2 (20.3)	9.2 (20.3)	9.2 (20.3)	12.4 (27.3)	12.4 (27.3)	16.4 (36.1)	16.4 (36.1)

1) At maximum continuous operating pressure and n = 1450 rpm.

Part Number	Description	Max. Quantity	Shipment (Business Days)
R900485829	PR4-1X/2,00-175WA01M01	3	10 day(s)
R901093640	PR4-3X/1,60-700RA12M01	3	10 day(s)
R901089173	PR4-3X/10,00-500RA01M01	3	10 day(s)
R901093641	PR4-3X/10,00-500RA12M01	3	10 day(s)
R901089758	PR4-3X/2,00-700RA12M01	3	10 day(s)
R901093639	PR4-3X/2,50-700RA12M01	3	10 day(s)
R901093852	PR4-3X/20,00-500RA12M01	3	10 day(s)
R901093871	PR4-3X/3,15-500RA12M01	3	10 day(s)
R901094072	PR4-3X/3,15-700RA12M01	3	10 day(s)
R901093868	PR4-3X/4,00-700RA12M01	3	10 day(s)
R901093643	PR4-3X/5,00-500RA12M01	3	10 day(s)
R901093867	PR4-3X/6,30-500RA12M01	3	10 day(s)
R901093864	PR4-3X/8,00-700RA12M01	3	10 day(s)

GoTo Focused Delivery Program: Pumps

Mini-Radial Piston Pumps



Hydraulic pumps of type R4 “mini” are integral check valve-controlled, self-priming radial piston pumps with fixed displacement. R4 mini pumps are designed for low flow, high pressure operation and long life.

For complete engineering and design information: **GoTo** www.boschrexroth-us.com/gotopumps

Features

- Sizes 0.4 to 2.0
- Radial piston pump with 3 pistons
- Very compact build
- Self-priming, valve-controlled
- Long service life due to hydro-dynamically lubricated plain bearings
- Optional combination with variable displacement vane pumps

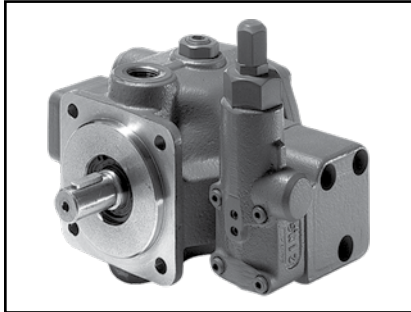
Technical Data

Size			0.4	0.63	1	1.6	2
Displacement	$V_{g \max}$	cm ³ (in ³)	0.4 (0.024)	0.63 (0.038)	1 (0.061)	1.6 (0.098)	2 (0.122)
Operating pressure	p_{\max}	bar (PSI)	700 (10,150)	700 (10,150)	450 (6500)	250 (3600)	175 (2500)
Power ¹⁾	P	kW (HP)	0.66 (0.89)	1.15 (1.54)	1.14 (1.53)	1.06 (1.42)	0.86 (1.15)
Speed	n	rpm	3400	3000	2000	2000	2000
Weight (approx.)	m	kg (lbs)	2.6 (5.73)	2.6 (5.73)	2.6 (5.73)	2.6 (5.73)	2.6 (5.73)

Part Number	Description	Max. Quantity	Shipment (Business Days)
R900485830	PR4-1X/0,40-700WA01M01	3	10 day(s)
R900345609	PR4-1X/0,63-700WA01M01	3	10 day(s)
R900490630	PR4-1X/1,00-450WA01M01	3	10 day(s)

GoTo Focused Delivery Program: Pumps

PV7 - Variable Vane Pumps, Pilot Operated



The PV7 is a variable displacement vane pump used quite extensively for low to mid-pressure applications for numerous market segments such as machine tool and packaging industries. The PV7 pump utilizes a journal bearing design and pivoting control pistons to provide a low noise and durable product for the industrial hydraulic market.

For complete engineering and design information: **GoTo** www.boschrexroth-us.com/gotopumps

Features

- 8 displacement sizes ranging from 14-150cc.
- All pumps are supplied with through drive capable shaft that is capped off with an aluminum rear cover
- PV7 pumps can be incorporated into combinations with many other Rexroth products including internal and external gear pumps, radial piston pumps, fixed and variable vane pumps and axial piston pumps.
- Multiple control options are available such as pressure control, flow control, solenoid unloading control, lockable controls, etc.
- PV7 design is European based, 4-bolt DIN mounting pilot and metric shaft

Technical Data

Size		10		16		25		40		63		100	
Size	cm ³ (in ³)	14 (0.85)	20 (1.22)	20 (1.22)	30 (1.83)	30 (1.83)	45 (2.75)	45 (2.75)	71 (4.27)	71 (4.27)	94 (5.74)	118 (7.20)	150 (9.15)
Flow	l/min (gpm)	21 (5.5)	29 (7.7)	29 (7.7)	43.5 (11.5)	43.5 (11.5)	66 (17.4)	66 (17.4)	104 (27.5)	108 (28.5)	136 (35.9)	171 (45.2)	218 (57.6)
Max. Pressure (absolute)		0.8 to 2.5 (11.6 to 36.26)											
Inlet	bar (psi)												
Outlet	bar (psi)	160 (2320)	100 (1450)	160 (2320)	80 (1160)	160 (2320)	80 (1160)	160 (2320)	80 (1160)	160 (2320)	80 (1160)	160 (2320)	80 (1160)
Speed range		900 to 1800 rpm											
Direction of rotation		Clockwise (viewed to shaft end)											

Part Number	Description	Max. Quantity	Shipment (Business Days)
R900580381	PV7-1X/10-14RE01MC0-16	3	10 day(s)
R900534143	PV7-1X/10-20RE01MC0-10	3	10 day(s)
R900506809	PV7-1X/100-118RE07MC0-16	3	10 day(s)
R900580382	PV7-1X/16-20RE01MC0-16	3	10 day(s)
R900580383	PV7-1X/25-30RE01MC0-16	3	10 day(s)
R900580384	PV7-1X/40-45RE37MC0-16	3	10 day(s)
R900506808	PV7-1X/63-71RE07MC0-16	3	10 day(s)
R901169899	REGULATOR V7-1A/...C0-16 BG	3	10 day(s)
R901169902	REGULATOR V7-1A/...D0-16 BG	3	5 day(s)

GoTo Focused Delivery Program: Pumps

VPV - Variable vane pumps, pilot operated



Rexroth continues to offer advanced variable vane pump technology. Market conditions favor hydraulic components that operate at low noise levels without sacrificing efficiency or durability. VPV pumps feature an outstanding response to the needs of the market today and for the future.

For complete engineering and design information: **GoTo www.boschrexroth-us.com/gotopumps**

Features

- Sizes 16 to 164
- Flows from 30 to 287 L/min (7.6 to 75.8 GPM) in single pumps
- Available in combination with other VPV pumps and Rexroth gear pumps
- Through-drive horsepower transfer is 100% to the second pump
- VPV pumps are available with through-shaft versions for quick combinations
- Pressures to 210 bar (3050 PSI)
- Continuous speeds from 1000 to 1800 rpm
- A variety of fluids can be used: mineral oil, phosphate ester, and environmentally friendly fluids
- Controls include standard pressure compensation, remote pressure compensation, load sense, solenoid 2-pressure, and solenoid vented

Technical Data

Size	cc/rev (in ³ /rev)	16 (1.0)	25 (1.5)	32 (2.0)	45 (2.75)	63 (3.84)	80 (4.88)	100 (6.0)	130 (7.93)	164 (10.0)
Flow ¹⁾	l/min (gpm)	30 (7.6)	43 (11.4)	57 (15.1)	79 (20.8)	110 (29.1)	140 (37.0)	172 (45.4)	227 (60.0)	287 (75.8)
Max. Pressure	bar (psi)	210 (3000)	210 (3000)	210 (3000)	210 (3000)	210 (3000)	210 (3000)	210 (3000)	210 (3000)	210 (3000)
Speed range	1000 to 1800 rpm									
Mounting	Flange to ISO 3019/1									
Mount Position	Any									
Rotation	RH									
Sound Pressure Level ²⁾		67	69	69	68	69	71	74	76	77

1) 1750 rpm in GPM.

2) dB(A) at 3000 PSI, 1750 rpm, full flow in a hemi-anechoic chamber with microphone placed 1 meter away at 7 discrete locations. Sound pressure levels are spatially and time weighted averaged.

Part Number	Description	Max. Quantity	Shipment (Business Days)
0513300201	0513R15A7VPV16SM14FZ	3	10 day(s)
0513300403	0513R15A7VPV16SM21FY	3	10 day(s)
0513300407	0513R15A7VPV16SM21HY	3	10 day(s)
0513300405	0513R15A7VPV16SM21HZ	3	10 day(s)
0513400407	0513R15A7VPV25SM21HY	3	10 day(s)
0513500407	0513R15A7VPV32SM21HY	3	10 day(s)
0513600407	0513R15A7VPV45SM21HY	3	10 day(s)
0513700407	0513R15A7VPV63SM21HY	3	10 day(s)
0513800407	0513R15A7VPV80SM21HY	3	10 day(s)
0513850216	0513R18C3VPV100SM21HYB04	3	10 day(s)
0513850214	0513R18C3VPV100SM21HYB04 P1	3	10 day(s)
0513860250	0513R18C3VPV130SM21HYB04	3	10 day(s)
0513860258	0513R18C3VPV130SM21HYB04P1	3	10 day(s)
0513870226	0513R18C3VPV164SM21HY B04	3	10 day(s)
0513870216	0513R18C3VPV164SM21HYB04 P1	3	10 day(s)
0513300208	0513R18C3VPV16SM21FYB03	3	10 day(s)
0513300202	0513R18C3VPV16SM21FZB03	3	10 day(s)
0513300212	0513R18C3VPV16SM21HYB03	3	10 day(s)
0513300246	0513R18C3VPV16SM21HYB03 P1	3	10 day(s)
0513400208	0513R18C3VPV25SM21FYB03	3	10 day(s)
0513400212	0513R18C3VPV25SM21HYB03	3	10 day(s)
0513500216	0513R18C3VPV32SM21FYB03	3	10 day(s)
0513500206	0513R18C3VPV32SM21FZB03	3	10 day(s)
0513500220	0513R18C3VPV32SM21HYB03	3	10 day(s)
0513500254	0513R18C3VPV32SM21HYB03 P1	3	10 day(s)
0513500218	0513R18C3VPV32SM21HZB03	3	10 day(s)
0513600214	0513R18C3VPV45SM21HYB05	3	10 day(s)
0513600234	0513R18C3VPV45SM21HYB05P1	3	10 day(s)
0513600240	0513R18C3VPV45SM21HZB05	3	10 day(s)
0513700218	0513R18C3VPV63SM21HYB05	3	10 day(s)
0513700242	0513R18C3VPV63SM21HYB05P1	3	10 day(s)
0513700214	0513R18C3VPV63SM21HZB05	3	10 day(s)
0513800248	0513R18C3VPV80SM21HYB05	3	10 day(s)
0513800238	0513R18C3VPV80SM21HYB05P1	3	10 day(s)
0513800236	0513R18C3VPV80SM21HZB05	3	10 day(s)
9511230595	PRESS REG VPV16-32 210 BAR F CONTROL SAE	3	10 day(s)
9511230601	PRESS REG VPV16-32 210 BAR H CONTROL SAE	3	10 day(s)
9511230610	PRESS REG VPV45-164 210 BAR H CONTROL SA	3	10 day(s)

GoTo Focused Delivery Program: Pumps

Fixed Displacement Vane Pumps



Rexroth PVV product is a fixed displacement vane pump based on the cartridge principle. PVV pumps can be used in a wide spectrum of applications, from low pressure filter / cooler loops to higher pressure systems such as presses and injection molding machines. PVV fixed vane pumps are just one of the many pump options available from the extensive Rexroth portfolio of products.

For complete engineering and design information: **GoTo** www.boschrexroth-us.com/gotopumps

Features

- 20 different displacement sizes ranging from 18cc/rev (1.1 cu-in/rev) to 193cc/rev (11.8 cu-in/rev)
- Hydraulically balanced design provides long bearing life
- Cartridge replacement simplifies service and repair
- Cartridges are interchangeable with competitive designs
- Displacement changes can be easily performed by swapping cartridges
- Rotational flexibility of port locations optimizes customer interface
- PVV pumps can be coupled to other Rexroth vane, piston and gear products

Technical Data

Mounting style	Flange mounting to SAE J744											
Pipe connections	SAE flange version (fixing threads: UNC)											
Direction of rotation	Clockwise and counter-clockwise											
Drive	Direct, co-axial drive; radial and axial forces cannot be taken up											
Build sizes 1 and 2 (pump cartridge)	BS1					BS2						
Nominal size ($\approx V$ in cm^3)	NS	18	27	36	40	46	40	45	55	60	68	
Max. flow at $n = 1500 \text{ min}^{-1}$, $\rho = 0.7 \text{ bar (10 PSI)}$ and $v = 25 \text{ mm}^2/\text{s}$	l/min (gpm)	25 (6.6)	39 (10.3)	53 (14.0)	59 (15.6)	70 (18.5)	59 (15.6)	66 (17.4)	80 (21.1)	89 (23.5)	100 (26.4)	
Outlet continuous for PVV	ρ_{max}	210 (3000)		160 (2300)		140 (2000)		175 (2500)				
Weight	kg (lb)	12 (26.4)					14.8 (32.6)					
Speed at 1 bar (14.5 PSI)	RPM	600–1800										
Build sizes 4 and 5 (pump cartridge)	BS4					BS5						
Nominal size ($\approx V$ in cm^3)	NS	69	82	98	113	122	139	154	162	183	193	
Max. flow at $n = 1500 \text{ min}^{-1}$, $\rho = 0.7 \text{ bar (10 PSI)}$ and $v = 25 \text{ mm}^2/\text{s}$	l/min (gpm)	101 (26.7)	120 (31.7)	141 (37.2)	167 (44.1)	177 (46.8)	203 (53.6)	223 (58.9)	234 (61.8)	267 (70.5)	285 (75.3)	
Outlet continuous for PVV	ρ_{max}	175 (2500)					175 (2500)					
Weight	kg (lb)	23 (50.7)					34 (74.9)					
Speed at 1 bar (14.5 PSI)	RPM	600–1800										

Part Number	Description	Max. Quantity	Shipment (Business Days)
R900939075	PVV1-1X/027RJ15DMB	3	10 day(s)
R900965314	PVV1-1X/036RJ15DMB	3	10 day(s)
R900928297	PVV1-1X/040RA15DMB	3	10 day(s)
R900704430	PVV1-1X/046RJ15DMB	3	10 day(s)
R900931138	PVV2-1X/040RA15UMB	3	10 day(s)
R900928955	PVV2-1X/055RA15UMB	3	10 day(s)
R900935466	PVV2-1X/068RA15DMB	3	10 day(s)
R900926823	PVV2-1X/068RA15UMB	3	10 day(s)
R900936293	PVV4-1X/069RA15DMC	3	10 day(s)
R900931548	PVV4-1X/082RA15DMC	5	10 day(s)
R900936294	PVV4-1X/098RA15DMC	3	10 day(s)
R900929542	PVV4-1X/122RA15DMC	3	10 day(s)
R900936296	PVV5-1X/154RA15DMC	3	10 day(s)
R900936297	PVV5-1X/183RA15DMC	3	10 day(s)
R900929349	PVV5-1X/193RA15DMC	3	10 day(s)

GoTo Focused Delivery Program: Pumps

PV7 - Variable Vane Pumps, Direct Operated



PV7 direct operated vane pumps are a pressure compensated design that improves system performance and efficiency vs. fixed displacement pumps. PV7 pumps can be used for lower pressure applications where low noise and pulsation are critical circuit demands.

For complete engineering and design information: **GoTo** www.boschrexroth-us.com/GoTopumps

Features

- 4 displacements ranging from 10-25cc
- Maximum flow adjustment option is standard
- Compensator setting is lockable
- Multiple pressure options for each displacement

Technical Data

Frame Size		06		20	
Displacement size	cm ³ (in ³)	10 (0.61)	14 (0.85)	20 (1.22)	25 (1.53)
Flow	l/min (gpm)	14.5 (3.8)	20 (5.3)	29 (7.7)	36 (9.5)
Max. Pressure (absolute)	Inlet	0.8 to 2.5 (11.6 to 36.25)			
	Outlet	100 (1450)	70 (1015)	100 (1450)	
Permitted viscosity range	cSt	16 to 160			
Weight	lbs	13.9		25.1	
Fluid temperature	°F	14 to 158			
Speed range	rpm	900 to 1800			
Installation position		Optional			

Part Number	Description	Max. Quantity	Shipment (Business Days)
R900563233	PV7-1X/06-10RA01MA0-10	3	10 day(s)
R900950953	PV7-2X/20-20RA01MA0-10	3	10 day(s)
R900950955	PV7-2X/20-25RA01MA0-10	3	10 day(s)

GoTo Focused Delivery Program: Pumps

Internal Gear Pumps - PGH



The PGH is a fixed displacement internal gear pump with an extremely versatile design, that's increasing in popularity within many variable speed drive applications. Along with its high pressure rating and low-noise and pulsation levels, the PGH reduces energy consumption and boosts overall system efficiency by providing only the flow and pressure as the system demands.

For complete engineering and design information: **GoTo www.boschrexroth-us.com/GoTopumps**

Features

- Sizes 5cc through 250cc
- Wide speed range, excellent for variable speed applications
- Radial and axial gap pressure compensation
- Larger sizes have built-in gauge / bleed port
- Flexible combination concept, all pumps have through drive
- Frame size 2 and 3: RE10223
- Frame size 4 and 5: RE10227

Technical Data

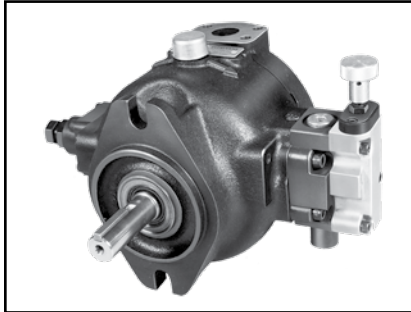
Frame Size			2			3			4				
Displacement	V_g	cm ³	5	6	8	11	13	16	20	25	32	40	50
Allowable speed	n	rpm	600 – 3000						200 – 3000				
Maximum continuous operating pressure (std fluids)	p_n	psi	4568									3625	
Permitted viscosity range		cSt	10 to 300 (restricted to 100 cSt for high speed 3000 rpm operation)										
Fluid temperature (std fluids)		°F	14 to 176										
Weight	m	lbs	9.5	9.7	10.1	10.6	11	11.7	30.9	32	33.1	35.3	37.5

Frame Size			5						
Displacement	V_g	cm ³	63	80	100	125	160	200	250
Allowable speed	n	rpm	200 – 3000						
Maximum continuous operating pressure (std fluids)	p_n	psi	4568			3045	2465	1958	
Permitted viscosity range		cSt	10 to 300 (restricted to 100 cSt for high speed 3000 rpm operation)						
Fluid Temperature (std fluids)		°F	14 to 176						
Weight	m	lbs	92.6	95.9	100.3	105.8	114.6	122.4	133.4

Part Number	Description	Max. Quantity	Shipment (Business Days)
R900886137	COMBINED PART PGH2/3-2X+PGH2/3-2X/	3	10 day(s)
R901155288	COMBINED PART PGH4-3X+GH2/3-2X/	3	10 day(s)
R901155289	COMBINED PART PGH4-3X+GH4-3X..R/	3	10 day(s)
R901155283	COMBINED PART PGH5-3X+GH2/3-2X/	3	10 day(s)
R901155284	COMBINED PART PGH5-3X+GH4-3X..R/	3	10 day(s)
R901155285	COMBINED PART PGH5-3X+GH5-3X..R/	3	10 day(s)
R900968999	PGH2-2X/005RE07VU2	3	10 day(s)
R900972378	PGH2-2X/005RR07VU2	3	10 day(s)
R900951301	PGH2-2X/006RE07VU2	3	10 day(s)
R900961549	PGH2-2X/006RR07VU2	3	10 day(s)
R900951302	PGH2-2X/008RE07VU2	3	10 day(s)
R900961551	PGH2-2X/008RR07VU2	3	10 day(s)
R900951303	PGH3-2X/011RE07VU2	3	10 day(s)
R900961556	PGH3-2X/011RR07VU2	3	10 day(s)
R900951305	PGH3-2X/016RE07VU2	3	10 day(s)
R900961558	PGH3-2X/016RR07VU2	3	10 day(s)
R901147100	PGH4-3X/020RE11VU2	3	10 day(s)
R901147110	PGH4-3X/020RR11VU2	3	10 day(s)
R901147101	PGH4-3X/025RE11VU2	3	10 day(s)
R901147111	PGH4-3X/025RR11VU2	3	10 day(s)
R901147102	PGH4-3X/032RE11VU2	3	10 day(s)
R901147112	PGH4-3X/032RR11VU2	3	10 day(s)
R901147103	PGH4-3X/040RE11VU2	3	10 day(s)
R901147113	PGH4-3X/040RR11VU2	3	10 day(s)
R901147104	PGH4-3X/050RE11VU2	3	10 day(s)
R901147114	PGH4-3X/050RR11VU2	3	10 day(s)
R901286226	PGH4-3X/063RR11VU2	3	10 day(s)
R901147115	PGH5-3X/063RE11VU2	3	10 day(s)
R901147116	PGH5-3X/080RE11VU2	3	10 day(s)
R901147130	PGH5-3X/080RR11VU2	3	10 day(s)
R901147117	PGH5-3X/100RE11VU2	3	10 day(s)
R901147131	PGH5-3X/100RR11VU2	3	10 day(s)
R901147118	PGH5-3X/125RE11VU2	3	10 day(s)
R901147132	PGH5-3X/125RR11VU2	3	10 day(s)
R901147119	PGH5-3X/160RE11VU2	3	10 day(s)
R901147133	PGH5-3X/160RR11VU2	3	10 day(s)

GoTo Focused Delivery Program: Pumps

PSV - Variable Vane Pumps, pilot operated



As a carryover from the Racine Fluid Power legacy program, Rexroth continues to support PSV series vane pumps for both new and replacement applications. The PSV series, otherwise known as the SV or Silent Vane product line, has a very large installed base around the world. These variable displacement vane pumps have proven themselves in the most demanding applications and they have built an excellent reputation with the OEM and user markets.

For complete engineering and design information: **GoTo** www.boschrexroth-us.com/GoTopumps

Features

- Sizes 1.0 to 10.0 cubic inches
- Variable displacement vane pump with pilot operated control
- Subplate versions still available on PSV10/15/20/25 sizes
- Pressures up to 2000 psi
- Detailed information:
- 9535233084 (PSV10/15)
- 9535233089 (PSV20/25)
- 9535233090 (PSV40)
- 9535233091 (PSV80/100)

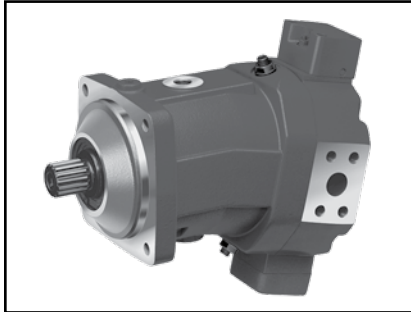
Technical Data

Nominal Size		10	15	20	25	40	80	100
Displacement	in ³	16	25	32	41	65	118	164
	(cc/rev)	(1.0)	(1.5)	(2.0)	(2.5)	(4.0)	(8.0)	(10.0)
Flow @ 100 psi and 1800 rpm	L/min	30.5	43.5	56.8	75.7	117.3	234.7	78
	(gpm)	(8)	(11.5)	(15)	(20)	(31)	(62)	(295.2)
Max. system pressure	bar	138	69	138	69	138	103	69
	(psi)	(2000)	(1000)	(2000)	(1000)	(2000)	(1500)	(1000)
Inlet pressure	bar abs	0.8–1.7						
	(psia)	(11.6–24.5)						
Drive speed	rpm	750–1800						
Rotation		RH only, as viewed from shaft end of pump. LH rotation phased out.						
Mount Position		Any						
Mounting		Flange to ISO 3019/1						
Weight	kg (lb)	21 (46)	21 (46)	33 (72)	33 (72)	48 (106)	80 (176)	80 (176)

Part Number	Description	Max. Quantity	Shipment (Business Days)
R978709225	PSV PNCF 20HRM -56	3	10 day(s)
R978709478	PSV PNCF 20HRM 66	3	10 day(s)
R978709440	PSV PNCF 40HRM 66	3	10 day(s)
R978709407	PSV PNCF 80GRM 65	3	10 day(s)
R978709255	PSV PNSF 10HRM -56	3	10 day(s)
R978709224	PSV PNSF 20HRM -56	3	10 day(s)
R978709219	PSV PNSF 20HRS -56	3	10 day(s)
R978709511	PSV PSAF 10HRM 66	3	10 day(s)
R978709514	PSV PSAF 15ERM 66	3	10 day(s)
R978709419	PSV PSCF 100ERM 65	3	10 day(s)
R978709462	PSV PSCF 20HRM 66	3	10 day(s)
R978709482	PSV PSCF 25ERM 66	3	10 day(s)
R978709438	PSV PSCF 40HRM 66	3	10 day(s)
R978709408	PSV PSCF 80GRM 65	3	10 day(s)
R978709439	PSV PSRF 40HRM 66	3	10 day(s)
R978709254	PSV PSSF 10HRM -56	3	10 day(s)
R978709263	PSV PSSF 15ERM -56	3	10 day(s)
R978709222	PSV PSSF 20HRM -56	3	10 day(s)
R978709232	PSV PSSF 25ERM -56	3	10 day(s)

GoTo Focused Delivery Program: Motors

Variable Displacement Motors - (A)A6VM



Variable displacement motor (A)A6VM in axial tapered piston rotary group of bent-axis design is available for open and closed circuit applications. It can be used in both mobile and industrial applications. The output speed is dependent on the flow of the pump and the displacement of the motor. The output torque increases with the pressure differential between the high-pressure and low-pressure side and with increasing displacement.

For complete engineering and design information: **GoTo** www.boschrexroth-us.com/GoTomotors

Features

- Sizes 80, 107, 160
- Series 6
- Axial tapered piston, bent-axis design
- For use in mobile and stationary applications
- Wide control range, high speeds and torque
- Compact, robust motor with long service life
- Cost savings through elimination of gear shifts and possibility of using smaller pumps
- Wide selection of control devices; good starting characteristics
- Graduated Lead Time as follows:
 - Quantity 5 or less, Lead Time 10 days
 - Quantity 6+, Lead Time 40 days
- Detailed information Series 6: RE91604